



Remodel IC Air Tight PAR16 / PAR20 Housing

4 inches

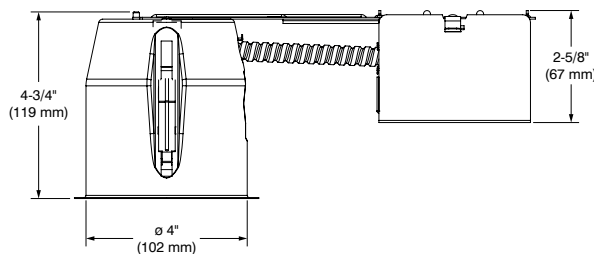
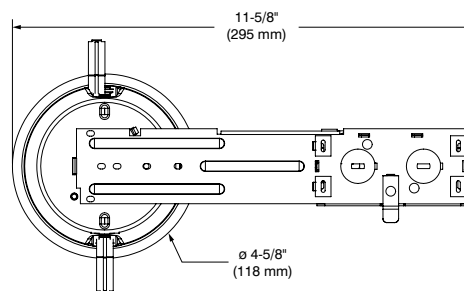
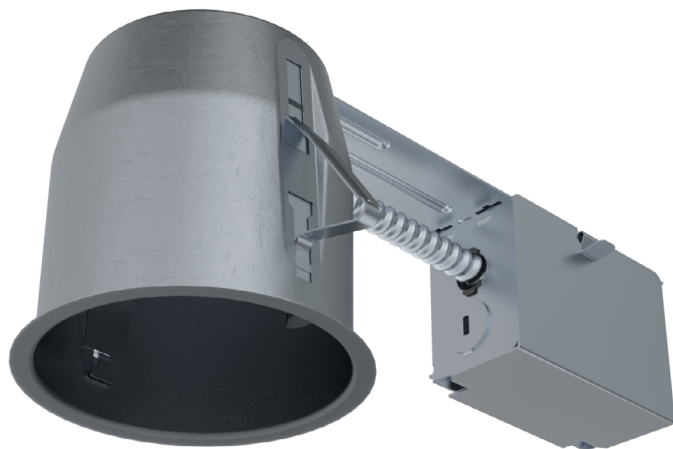
XR40PAR-L

Project _____

Notes _____

Fixture type _____

Date _____



SPECIFICATIONS

HOUSING DETAILS	Galvanized Steel Approved for installation in insulated ceiling with direct contact to insulating material (except polyurethane) Below-ceiling accessible			
SOCKET	Medium base socket (E26)			
JUNCTION BOX	Convenient 16° in enclosure designed for straight through conduit runs 1/2" and 3/4" romex wiring knockouts			
MOUNTING	Cutout diameter: ø 4-1/4" (108 mm) Can fit in ceilings of 1/2" (13 mm) up to 1-3/8" (35 mm) thick Requires a 6" (152 mm) clearance beyond the ceiling level No light leakage			
SOURCE	LED PAR16 Lamp 12W MAX LED PAR20 Lamp 12W MAX			
COMPATIBLE TRIMS	PAR16 X4001 X4002	X4009	PAR20 X4004 X4005	X4009
VOLTAGE	120V/277V			



Remodel IC Air Tight PAR16 / PAR20 Housing

4 inches

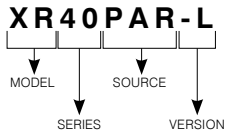
XR40PAR-L



SPECIFICATIONS (CONT'D)

CERTIFICATION	ETL listed for damp locations and wet with shower trim
WARRANTY	1 year limited warranty

CODIFICATION EXAMPLE



ORDERING CODE

MODEL	SERIES	SOURCE	VERSION
XR	40	PAR	-L
XR Remodel IC Housing	40 4" Series	PAR PAR16 PAR20	-L