

## XR35GU10-L

3-1/2" Series - PRIORI

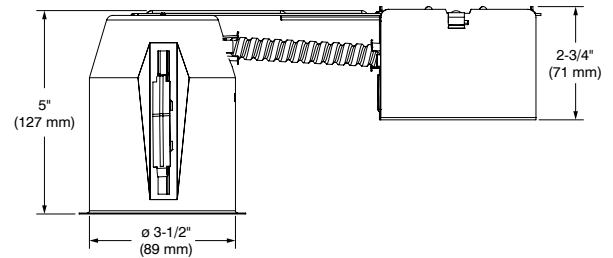
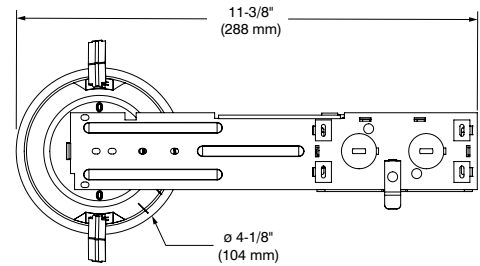
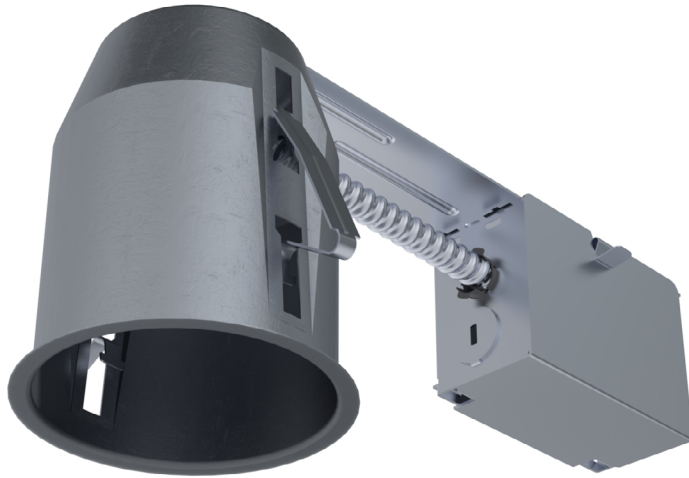
Project \_\_\_\_\_

Notes \_\_\_\_\_

Fixture type \_\_\_\_\_

Date \_\_\_\_\_

### Remodel IC Air Tight GU10 Housing



### SPECIFICATIONS

HOUSING DETAILS	Galvanized Steel Approved for installation in insulated ceiling with direct contact to insulating material (except polyurethane) Below-ceiling accessible		
SOCKET	GU10; Twist and Lock		
JUNCTION BOX	Convenient 16° in 1/2" and 3/4" romex wiring knockouts		
MOUNTING	<b>Cutout diameter: ø 3-3/4" (96 mm)</b> Can fit in ceilings of 1/2" (13 mm) up to 1-3/8" (35 mm) thick Requires a 6" (152 mm) clearance beyond the ceiling level No light leakage		
SOURCE	<b>LED GU10 Lamp 10W MAX</b>		
COMPATIBLE	X3501	X3504	X3508
TRIMS	X3502	X3505	
	X3503	X3507	
VOLTAGE	120V/277V		

SPECIFICATION SHEET

# XR35GU10-L

3-1/2" Series - PRIORI

# P R I O R I

## Remodel IC Air Tight GU10 Housing



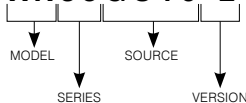
SPECIFICATIONS (CONT'D)

CERTIFICATION ETL listed for damp locations and wet with shower trim

WARRANTY 1 year limited warranty

CODIFICATION EXAMPLE

**XR35GU10-L**



ORDERING CODE

MODEL	SERIES	SOURCE	VERSION
<b>XR</b>	<b>35</b>	<b>GU10</b>	<b>-L</b>
<b>XR</b> Remodel IC Housing	<b>35</b> 3-1/2" Series	<b>GU10</b> GU10	<b>-L</b>