

XN40PAR-L

P R I O R I

4" Series - PRIORI

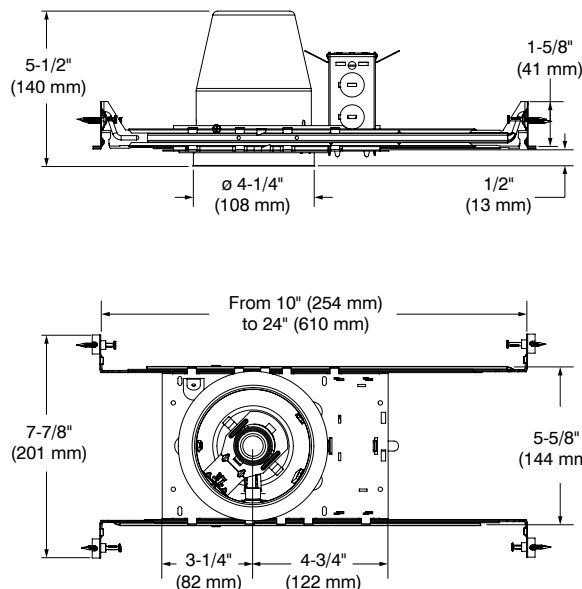
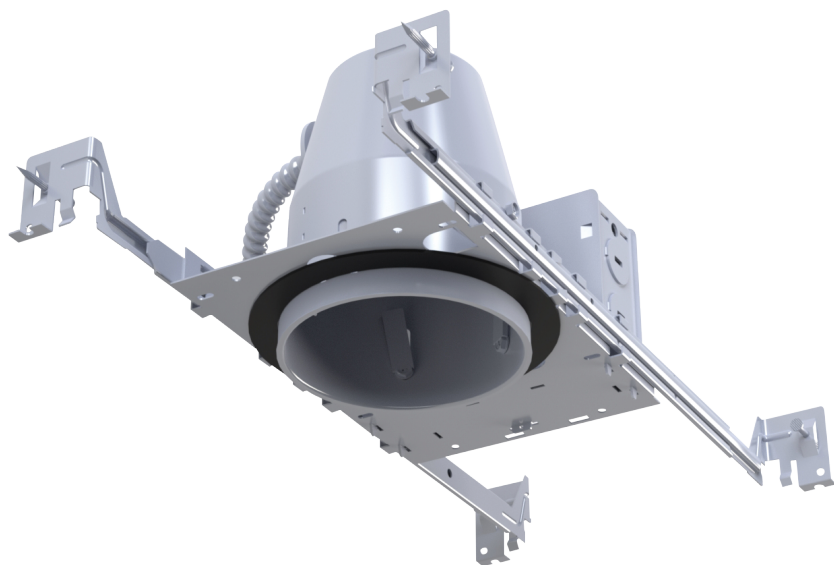
Project _____

Notes _____

Fixture type _____

Date _____

New Construction IC Air Tight PAR20 Housing



SPECIFICATIONS

| | | | | | |
|------------------|---|---|--|--|--|
| HOUSING DETAILS | Galvanized Steel Approved for installation in insulated ceiling with direct contact to insulating material (except polyurethane) Below-ceiling accessible | | | | |
| SOCKET | Medium Base Socket (E26) | | | | |
| JUNCTION BOX | Convenient 24 ³ in 1/2" and 3/4" romex wiring knockouts | | | | |
| MOUNTING | <p>Cutout diameter: ϕ 4-1/4" (108 mm) Can fit in ceilings of 1/2" (13 mm) up to 1-3/8" (35 mm) thick Requires a 5-1/2" (140 mm) clearance beyond the ceiling material No light leakage</p> <p>Adjustable Mounting Bars</p> <ul style="list-style-type: none"> • 10" (254 mm) to 24" (610 mm) to fit in most ceiling structures • Contains integral nail • Hanger fit onto T-bar spline for quick alignment | | | | |
| SOURCE | <p>LED PAR16 Lamp 10W MAX</p> <p>LED PAR20 Lamp 10W MAX</p> | | | | |
| COMPATIBLE TRIMS | <p>PAR16</p> <p>X4001 X4006</p> <p>X4003 X4010</p> | <p>PAR20</p> <p>X4004 X4007 X4009</p> <p>X4005 X4008 X4010</p> | | | |
| VOLTAGE | 120V/277V | | | | |

XN40PAR-L

4" Series - PRIORI



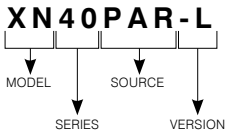
New Construction IC Air Tight PAR20 Housing



SPECIFICATIONS (CONT'D)

| | |
|---------------|--|
| CERTIFICATION | ETL listed for damp locations and wet with shower trim |
| WARRANTY | 1 year limited warranty |

CODIFICATION EXAMPLE



ORDERING CODES

| MODEL | SERIES | SOURCE | VERSION |
|---------------------------------------|---------------------|---------------------------|-----------|
| XN | 40 | PAR | -L |
| XN New Construction IC Housing | 40 4" Series | PAR PAR16 PAR20 | -L |