

X4009

4" Series - PRIORI

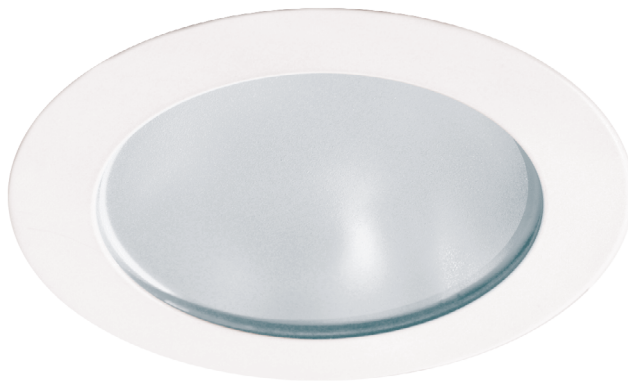
Project _____

Notes _____

Fixture type _____

Date _____

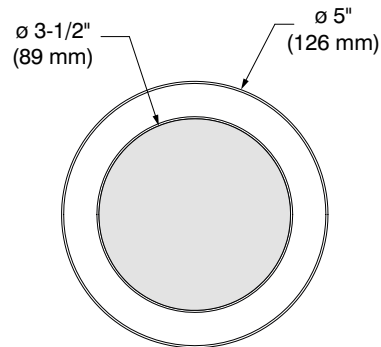
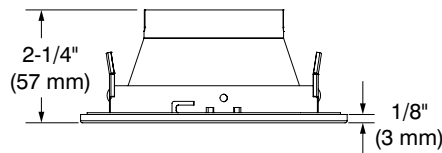
Shower Trim with Frosted Lens



X4009-11-L (Illustrated)

SPECIFICATIONS

TRIM DETAILS	Powder coat painted or plated die-formed steel. Different finishes available.
LAMPS (maximum wattage)	PAR16 LED 10W MAX PAR20 LED 10W MAX If you want to use the dimming option, please refer regularly to the lamp manufacturer compatibility list.
REFLECTOR	Haze
LENS	Standard: Frosted lens
CEILING CUTOUT	ø 4-1/4" (108 mm) ø 4-3/8" (110 mm) — With Remodel Housing
CERTIFICATION	ETL listed for wet locations
WARRANTY	1 year limited warranty



COMPATIBLE HOUSINGS



Remodel IC Air Tight Housing	New Construction IC Air Tight Housing	Insulated IC Air Tight Housing
RE-XIC40PAR	XN40PAR-L	XIC40PAR-L

X4009

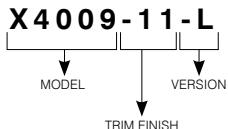
4" Series - PRIORI

P R I O R I

Shower Trim with Frosted Lens



CODIFICATION EXAMPLE



ORDERING CODES

MODEL	TRIM FINISHES	VERSION
X4009		-L
X4009	Shower Trim	
	-11 Matte White	-L
	-13 Satin Nickel	
	-22 Matte Black	