

X4004

4" Series - PRIORI

Project _____

Notes _____

Fixture type _____

Date _____

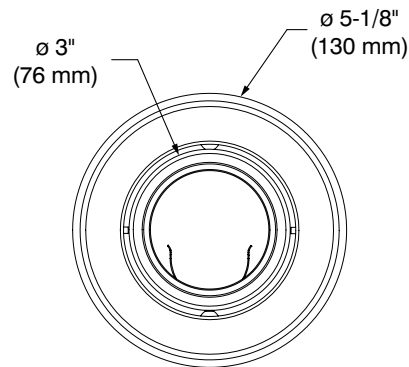
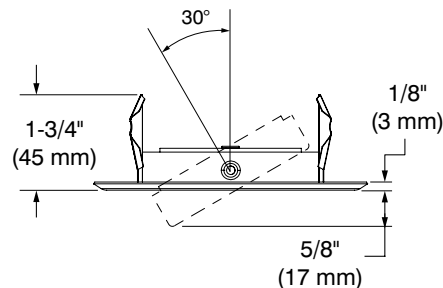
Adjustable Trim



X4004-11-L (Illustrated)

SPECIFICATIONS

TRIM DETAILS	Powder coat painted or plated die-formed steel. Different finishes available.
ADJUSTABILITY	Tilt: 30°
LAMPS (maximum wattage)	PAR20 LED 10W MAX If you want to use the dimming option, please refer regularly to the lamp manufacturer compatibility list.
CEILING CUTOUT	ø 4-1/4" (108 mm) ø 4-3/8" (110 mm) — With Remodel Housing
CERTIFICATION	ETL listed for damp location
WARRANTY	1 year limited warranty



COMPATIBLE HOUSINGS

Remodel IC Air Tight Housing	New Construction IC Air Tight Housing	Insulated IC Air Tight Housing
RE-XIC40PAR	XN40PAR-L	XIC40PAR-L

X4004

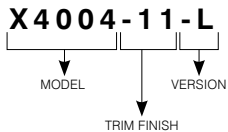
4" Series - PRIORI

P R I O R I

Adjustable Trim



CODIFICATION EXAMPLE



ORDERING CODES

MODEL	TRIM FINISHES	VERSION
X4004		-L
X4004	Adjustable Trim	
	-11 Matte White	-L
	-13 Satin Nickel	
	-22 Matte Black	