

## X3503

3-1/2" Series - PRIORI

Project \_\_\_\_\_

Notes \_\_\_\_\_

Fixture type \_\_\_\_\_

Date \_\_\_\_\_

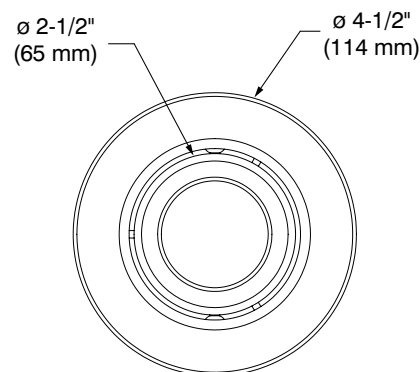
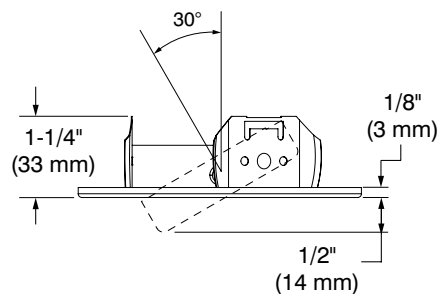
### Adjustable Trim



X3503-13-L (Illustrated)

### SPECIFICATIONS

TRIM DETAILS	Powder coat painted or plated die-formed steel. Different finishes available.
ADJUSTABILITY	Tilt: 30°
LAMPS (maximum wattage)	<b>GU10 LED 10W MAX</b>  If you want to use the dimming option, please refer regularly to the lamp manufacturer compatibility list.
CEILING CUTOUT	<b>ø 3-3/4" (96 mm)</b>
CERTIFICATION	ETL listed for damp locations
WARRANTY	1 year limited warranty



### COMPATIBLE HOUSINGS

Remodel IC Air Tight Housing	New Construction IC Air Tight Housing	Insulated IC Air Tight Housing
XR35GU10-L	XN35GU10-L	XIC35GU10-L

# X3503

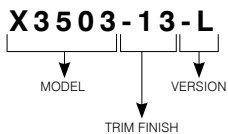
3-1/2" Series - PRIORI

# P R I O R I

## Adjustable Trim



### CODIFICATION EXAMPLE



### ORDERING CODES

MODEL	TRIM FINISHES	VERSION
<b>X3503</b>		<b>-L</b>
<b>X3503</b>	Adjustable Trim	
	<b>-11</b> Matte White	<b>-L</b>
	<b>-13</b> Satin Nickel	
	<b>-22</b> Matte Black	