

X3501

3-1/2" Series - PRIORI

Project _____
 Notes _____
 Fixture type _____
 Date _____

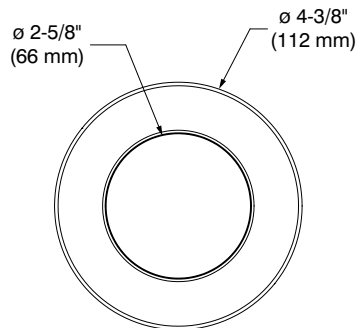
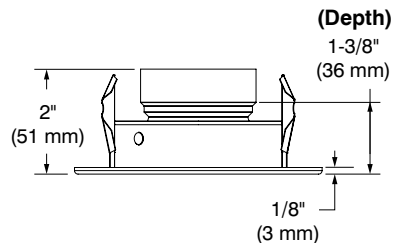
Shower Trim with Frosted Lens



X3501-11-L (Illustrated)

SPECIFICATIONS

TRIM DETAILS	Powder coat painted or plated die-formed steel. Different finishes available.
LAMPS (maximum wattage)	GU10 LED 10W MAX If you want to use the dimming option, please refer regularly to the lamp manufacturer compatibility list.
REFLECTOR	Haze
LENS	Standard: Frosted lens
CEILING CUTOUT	ø 3-3/4" (96 mm)
CERTIFICATION	ETL listed for wet locations
WARRANTY	1 year limited warranty



COMPATIBLE HOUSINGS 		
Remodel IC Air Tight Housing	New Construction IC Air Tight Housing	Insulated IC Air Tight Housing
XR35GU10-L	XN35GU10-L	XIC35GU10-L

X3501

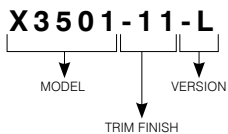
3-1/2" Series - PRIORI

P R I O R I

Shower Trim with Frosted Lens



CODIFICATION EXAMPLE



ORDERING CODES

MODEL	TRIM FINISHES	VERSION
X3501		-L
X3501	-11 Matte White -13 Satin Nickel -22 Matte Black	-L