

# T7024

4-1/4" Series

## Round Trim with Square Elbow

### SPECIFICATIONS

TRIM	Powder coat painted or plated die-cast aluminum. Different finishes available.
LAMPS (maximum wattage)	<b>MR16 GU 5.3</b> 35-50W  This product was designed for MR16 halogen lamps. If you want to use the dimming option and you replace the MR16 lamp by an equivalent LED lamp, please refer regularly to the lamp manufacturer compatibility list.  Use supplied glass lens only with unprotected MR16 lamps.
CEILING CUTOUT	<b>ø 4-3/8" (111 mm)</b>
CERTIFICATION	cULus <b>E174023</b> for <b>damp locations</b>
WARRANTY	1 year for standard finishes.

Project	
Notes	
Fixture Type	
Date	

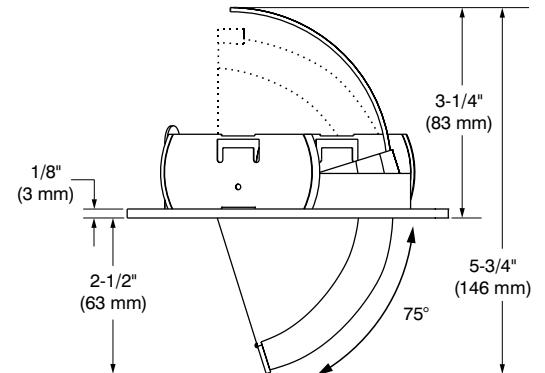


T7024-06 (illustrated)  
(Lamp not included)

358° swivelling central part

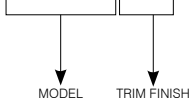
### COMPATIBLE HOUSINGS

	Remodel Housing	New Construction Housing	Insulated Housing
HALOGENS	<b>MR16 GU 5.3</b> 50W IT7000E IT7000M	<b>MR16 GU 5.3</b> 50W NW7000E NW7000M	<b>MR16 GU 5.3</b> 35W ISMR7000E35 ISMR7000M35



### CODIFICATION EXAMPLE

**T7024-13**



### ORDERING CODES

MODEL	TRIM FINISHES	
<b>T7024</b>		
<b>T7024</b>	<b>-01</b>	White
	<b>-02</b>	Black
	<b>-03</b>	24K Gold Plated
	<b>-04</b>	Chrome
	<b>-04BR</b>	Brushed Chrome
	<b>-05</b>	Architectural Bronze
	<b>-06</b>	Antique Copper
	<b>-11</b>	Matte White
	<b>-12BR</b>	Brushed Nickel
	<b>-13</b>	Satin Nickel
	<b>-15</b>	Metallic Grey

