

# T4145

3" Series

## Low Profile Square Regressed Trim

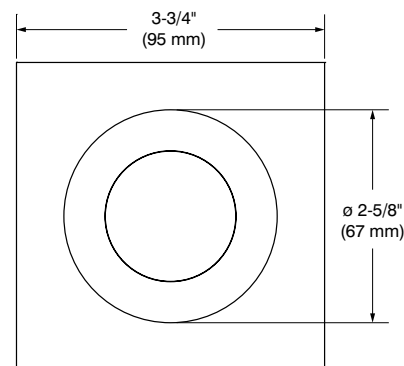
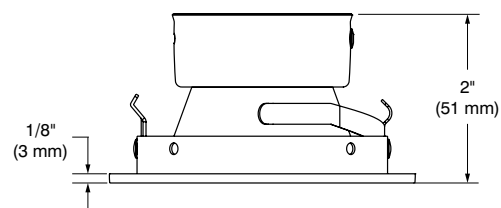
Project
Notes
Fixture Type
Date



T4145-02 (illustrated)

### SPECIFICATIONS

TRIM	Powder coat painted or plated die-formed steel. Different finishes available. Painted finishes available with Marine Grade option.
LAMP	<b>MR16 20W</b> This product was designed for MR16 halogen lamps. If you want replace the MR16 lamp by an equivalent LED lamp, please refer regularly to the lamp manufacturer compatibility list.
CEILING CUTOUT	<b>ø 3-1/4" (82 mm)</b>
CERTIFICATION	cULus <b>E174023</b> for <b>damp locations</b>
WARRANTY	1 year for standard finishes, 2-year on "Marine Grade" finish.



### COMPATIBLE HOUSINGS

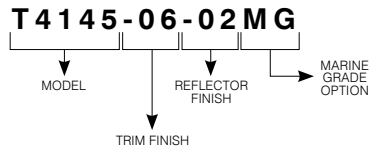
	Remodel Housing	New Construction Housing	Insulated Housing
HALOGENS	<b>MR16 GU 5.3 20W</b> IT4000E IT4000M	<b>MR16 GU 5.3 35W</b> NW4000E NW4000M	<b>MR16 GU 5.3 20W</b> ISMR4000M



# T4145

3" Series

## CODIFICATION EXAMPLE



## ORDERING CODES

MODEL	TRIM FINISHES	REFLECTOR FINISHES	MARINE GRADE
<b>T4145</b>			
-01	White	<b>ANODIZED</b>	<b>MG</b> (optional)
-02	Black	Anodized Aluminum	May be applied on finishes:
-03	Gold Plated 24K		-01, -02, -05, -06, -11 and -15
-04	Chrome	<b>SPECULAR</b>	
-04BR	Brushed Chrome	<b>CL</b> Clear	
-05	Architectural Bronze	<b>BK</b> Black	
-06	Antique Copper		
-11	Matte White	<b>PAINTED</b>	
-12BR	Brushed Nickel	-01 White	
-13	Satin Nickel	-02 Black	
-15	Metallic Grey	-11 Matte White	

## MARINE GRADE

2-year warranty on finish

This option increases the painted finishes resistance by reducing and delaying apparition and propagation of oxidation (ex: rust and others).

MARINE GRADE treatment is recommended for damp to wet locations.

Unless otherwise indicated, trims are for interior use. Also suitable for cold and exterior locations, as in soffits, where fixtures are not subject to direct rain or snow exposure.

**WARNING** – This option is not suitable for salt environments and/or highly corrosive areas such as soffits in coastal regions and natatoriums. Such usage would void warranty on the product.

