

T4125

3" Series

Low Profile Square Adjustable Trim

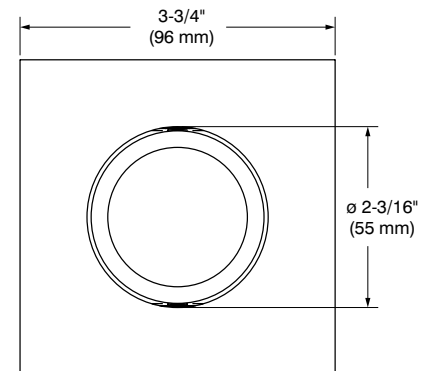
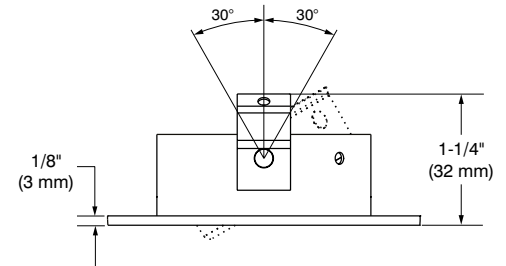
Project	
Notes	
Fixture Type	
Date	



T4125-04BR (illustrated)

SPECIFICATIONS

TRIM	Powder coat painted or plated die-formed steel. Different finishes available. Painted finishes available with Marine Grade option.
LAMP	MR16 20-35W This product was designed for MR16 halogen lamps. If you want replace the MR16 lamp by an equivalent LED lamp, please refer regularly to the lamp manufacturer compatibility list.
CEILING CUTOUT	ø 3-1/4" (82 mm)
CERTIFICATION	cULus E174023 for damp locations
WARRANTY	1 year for standard finishes, 2-year on "Marine Grade" finish.



COMPATIBLE HOUSINGS

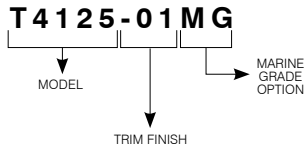
	Remodel Housing	New Construction Housing	Insulated Housing
HALOGENS	MR16 GU 5.3 20W IT4000CE IT4000CM	MR16 GU 5.3 35W NW4000E NW4000M	MR16 GU 5.3 20W ISMR4000M ISMR4000M20
	MR16 GU 5.3 35W IT4000E IT4000M		



T4125

3" Series

CODIFICATION EXAMPLE



ORDERING CODES

MODEL	TRIM FINISHES	MARINE GRADE
T4125		
	-01 White	MG (optional)
	-02 Black	May be applied on finishes:
	-03 Gold Plated 24K	-01, -02, -05, -06, -11 and -15
	-04 Chrome	
	-04BR Brushed Chrome	
	-05 Architectural Bronze	
	-06 Antique Copper	
	-11 Matte White	
	-12BR Brushed Nickel	
	-13 Satin Nickel	
	-15 Metallic Grey	

MARINE GRADE

2-year warranty on finish

This option increases the painted finishes resistance by reducing and delaying apparition and propagation of oxidation (ex: rust and others).

MARINE GRADE treatment is recommended for damp to wet locations.

Unless otherwise indicated, trims are for interior use. Also suitable for cold and exterior locations, as in soffits, where fixtures are not subject to direct rain or snow exposure.

WARNING – This option is not suitable for salt environments and/or highly corrosive areas such as soffits in coastal regions and natatoriums. Such usage would void warranty on the product.

