

# T3850

3-1/2" Series

## Low Profile Adjustable Regressed Trim with Slot Aperture

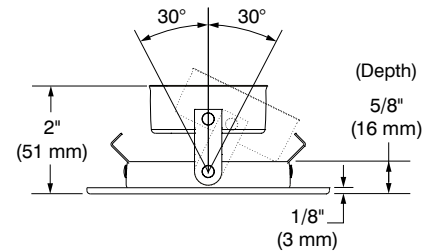
Project	
Notes	
Fixture Type	
Date	

### SPECIFICATIONS

TRIM	Powder coat painted or plated die-formed steel. Different finishes available. Painted finishes available with Marine Grade option.	
LAMPS (maximum wattage)	<b>GU10 LED 9.8W</b> <b>MR16 LED GU 5.3 11.5W</b> <b>PAR16 LED 8W</b>	<b>GU10 50W</b> <b>MR16 GU 5.3 20-50W</b>
	If you want to use the dimming option and you use a GU10 LED or PAR16 LED lamp, please refer regularly to the lamp manufacturer compatibility list.  For MR16 LED lamp usage, please refer to the selected housing specification sheet (see compatible housing list below).  <b>*Use supplied glass lens only with un protected MR16 lamps.</b>	
CEILING CUTOUT	<b>ø 3-5/8" (92 mm)</b>	
CERTIFICATION	<ul style="list-style-type: none"> <li>cULus <b>E343977</b> for <b>damp locations</b> (for GU10, MR16 and PAR16 LED lamps)</li> <li>cULus <b>E174023</b> for <b>damp locations</b> (for MR16, GU10 halogen lamps)</li> </ul>	
WARRANTY	1 year for standard finishes, 2 years on "Marine Grade" finishes.	

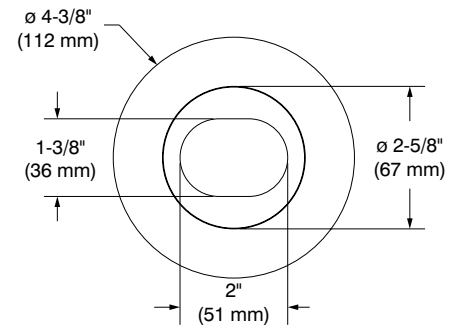


T3850-04 (illustrated)  
(Lamp not included)



### COMPATIBLE HOUSINGS

	IC Air Tight Remodel Housing	IC Air Tight New Construction Housing
LED	<b>GU10 LED 9.8W</b> IT3000T-LED  <b>MR16 LED GU 5.3 11.5W</b> IT3000CE-LED IT3000E-LED  <b>PAR16 LED 8W</b> CA3000-LED	<b>GU10 LED 9.8W</b> NW3000T-LED  <b>MR16 LED GU 5.3 11.5W</b> NW3000CE-LED NW3000E-LED  <b>PAR16 LED 8W</b> NW3000CA-LED



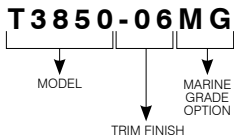
# T3850

3-1/2" Series

## COMPATIBLE HOUSINGS (CONT'D)

	Remodel Housing	New Construction Housing	Insulated Housing
HALOGENS	<b>MR16 GU 5.3</b> 50W IT3000LE IT3000LM  <b>GU10</b> 50W IT3000LT	<b>MR16 GU 5.3</b> 37W NW3000CE NW3000CM  <b>MR16 GU 5.3</b> 50W NW3000LE NW3000LM  <b>GU10</b> 50W NW3000LT	<b>MR16 GU 5.3</b> 20W ISMR3000E20 ISMR3000M ISMR3000M20

## CODIFICATION EXAMPLE



## ORDERING CODES

MODEL	TRIM FINISHES	MARINE GRADE
<b>T3850</b>		
<b>T3850</b>	-01 White -02 Black -03 24K Gold Plated -04 Chrome -04BR Brushed Chrome -05 Architectural Bronze -06 Antique Copper -11 Matte White -12BR Brushed Nickel -13 Satin Nickel -15 Metallic Grey	<b>MG</b> (optional) May be applied on finishes: -01, -02, -05, -06, -11 and -15

## MARINE GRADE

2-year warranty on finish

This option increases the painted finishes resistance by reducing and delaying apparition and propagation of oxidation (ex: rust and others).

MARINE GRADE treatment is recommended for damp to wet locations.

Unless otherwise indicated, trims are for interior use. Also suitable for cold and exterior locations, as in soffits, where fixtures are not subject to direct rain or snow exposure.

**WARNING** – This option is not suitable for salt environments and/or highly corrosive areas such as soffits in coastal regions and natatoriums. Such usage would void warranty on the product.

