

# T3145W

3-1/2" Series

## Low Profile Square Regressed Wall Wash Trim

Project	
Notes	
Fixture Type	
Date	

### SPECIFICATIONS

**TRIM** Powder coat painted or plated die-formed steel. Different finishes available. Painted finishes available with Marine Grade option.

**LAMPS**  
(maximum wattage)

<b>GU10 LED 9.8W</b>	<b>GU10 50W</b>
<b>MR16 LED GU 5.3 11.5W</b>	<b>MR16 GU 5.3 20-50W</b>
<b>PAR16 LED 8W</b>	

If you want to use the dimming option and you use a GU10 or PAR16 LED lamp, please refer regularly to the lamp manufacturer compatibility list.

For MR16 LED lamp usage, please refer to the selected housing specification sheet (see compatible housing list below).

**\*Use supplied glass lens only with un protected MR16 lamps.**

**REFLECTORS** **Standard: Anodized aluminum**

**Options:**

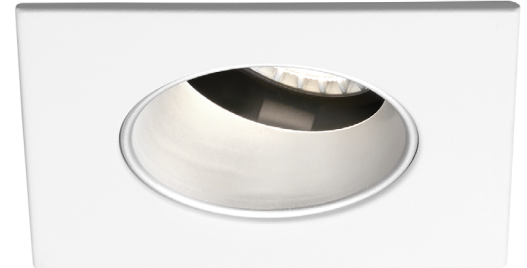
<b>Specular</b>	<b>Painted</b>
Black ( <b>BK</b> )	White ( <b>-01</b> )
Clear ( <b>CL</b> )	Black ( <b>-02</b> )
	Matte White ( <b>-11</b> )

**CEILING CUTOUT** **ø 3-5/8" (92 mm)**

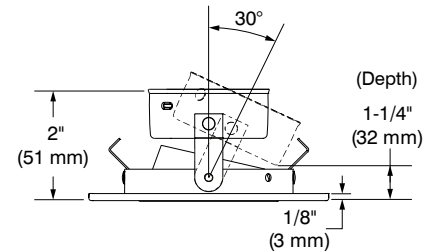
**CERTIFICATION**

- cULus **E343977** for **damp locations** (for GU10, MR16 and PAR16 LED lamps)
- cULus **E174023** for **damp locations** (for MR16, GU10 halogen lamps)

**WARRANTY** 1 year for standard finishes, 2 years on "Marine Grade" finishes.

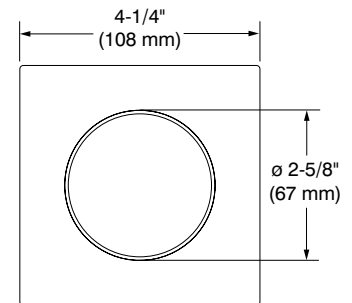


T3145W-11 (illustrated)  
(Lamp not included)



### COMPATIBLE HOUSINGS

LED	IC Air Tight Remodel Housing	IC Air Tight New Construction Housing
	<b>GU10 LED 9.8W</b> IT3000T-LED	<b>GU10 LED 9.8W</b> NW3000T-LED
	<b>MR16 LED GU 5.3 11.5W</b> IT3000CE-LED IT3000E-LED	<b>MR16 LED GU 5.3 11.5W</b> IT3000CE-LED IT3000E-LED
	<b>PAR16 LED 8W</b> CA3000-LED	<b>PAR16 LED 8W</b> NW3000CA-LED



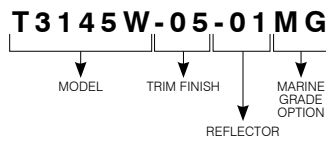
# T3145W

3-1/2" Series

## COMPATIBLE HOUSINGS (CONT'D)

	Remodel Housing	New Construction Housing	Insulated Housing
HALOGENS	<b>MR16 GU 5.3</b> 50W IT3000LE IT3000LM  <b>GU10</b> 50W IT3000LT	<b>MR16 GU 5.3</b> 50W NW3000CE NW3000CM NW3000LE NW3000LM  <b>GU10</b> 50W NW3000LT	<b>MR16 GU 5.3</b> 20W ISMR3000E20 ISMR3000M20  <b>MR16 GU 5.3</b> 35W ISMR3000E35  <b>MR16 GU 5.3</b> 50W ISMR3000M

## CODIFICATION EXAMPLE



## ORDERING CODES

MODEL	TRIM FINISHES	REFLECTORS	MARINE GRADE
<b>T3145W</b>			
<b>T3145W</b>	<b>-01</b> White <b>-02</b> Black <b>-03</b> 24K Gold Plated <b>-04</b> Chrome <b>-04BR</b> Brushed Chrome <b>-05</b> Architectural Bronze <b>-06</b> Antique Copper <b>-11</b> Matte White <b>-12BR</b> Brushed Nickel <b>-13</b> Satin Nickel <b>-15</b> Metallic Grey	<b>ANODIZED</b> Aluminum (standard)  <b>SPECULAR</b> <b>CL</b> Clear <b>BK</b> Black  <b>PAINTED</b> <b>-01</b> White <b>-02</b> Black <b>-11</b> Matte White	<b>MG</b> (optional) May be applied on finishes: -01, -02, -05, -06, -11 and -15

## MARINE GRADE

2-year warranty on finish

This option increases the painted finishes resistance by reducing and delaying apparition and propagation of oxidation (ex: rust and others).

MARINE GRADE treatment is recommended for damp to wet locations.

Unless otherwise indicated, trims are for interior use. Also suitable for cold and exterior locations, as in soffits, where fixtures are not subject to direct rain or snow exposure.

**WARNING** – This option is not suitable for salt environments and/or highly corrosive areas such as soffits in coastal regions and natatoriums. Such usage would void warranty on the product.



# CONTRASTE

2018-01  
Revision 1

PRINTED IN CANADA

1009, rue du Parc Industriel  
Lévis (Québec) G6Z 1C5 Canada  
Tel.: 1-888-839-4624  
Fax.: 1-877-839-7057  
contrastelighting.com  
info@contrastelighting.com

© 2018 Contraste Lighting M.L. Inc.  
All rights reserved

Contrast Lighting M.L. Inc. reserves the right to make changes in specifications and/or to discontinue any product at any time without notice or obligation and will not be liable for any consequences resulting from the use of this publication.