

S2100

4" Series

Low Profile Square Adjustable Shower Trim

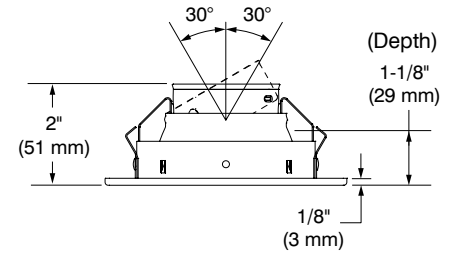
Project	
Notes	
Fixture Type	
Date	

SPECIFICATIONS

TRIM	Powder coated paint or plated die-formed steel. Different finishes available. Painted finishes available with Marine Grade option.	
LAMPS (maximum wattage)	GU10 LED 9.8W MR16 LED GU 5.3 11.5W PAR16 LED 8W	MR16 GU 5.3 42-50W
	If you want to use the dimming option and you use a GU10 LED lamp, please refer regularly to the lamp manufacturer compatibility list. For dimming a MR16 LED lamp, please refer to the selected housing specification sheet (compatible housings list below). Using LED lamps in shower trims may result in its lifespan decrease. Contraste cannot be held responsible for LED lamps lifespan loss when used in totally enclosed spaces.	
LENSES	Standard: Frosted lens Available: Clear lens (C), Frosted with clear center lens (FC). Convex frosted lens (BF), Convex clear lens (BC). To order, place the lens code after the trim code. Ex.: S2100FC-01	
CEILING CUTOUT	ø 4-1/4" (108 mm)	
CERTIFICATION	<ul style="list-style-type: none"> cULus E343977 for wet locations (for GU10, MR16 and PAR16 LED lamps) cULus E174023 for wet locations (for MR16 halogen lamps) 	
WARRANTY	1 year for standard finishes, 2 years on "Marine Grade" finishes.	

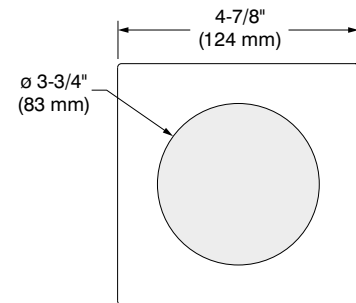


S2100-04BR (illustrated)
(Lamp not included)



COMPATIBLE HOUSINGS

LED	IC Air Tight Remodel Housing	IC Air Tight New Construction Housing
	GU10 LED 9.8W IT2000T-LED	GU10 LED 9.8W NW2000T-LED
	MR16 LED GU 5.3 11.5W IT2000CE-LED IT2000E-LED	MR16 LED GU 5.3 11.5W NW2000CE-LED NW2000E-LED
	PAR16 LED 8W CA2000-LED	PAR16 LED 8W NW2000CA-LED



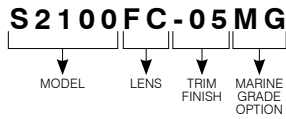
S2100

4" Series

COMPATIBLE HOUSINGS (CONT'D)

	Remodel Housing	New Construction Housing	Insulated Housing
HALOGENS	MR16 GU 5.3 42W IT2000CE IT2000CM MR16 GU 5.3 50W IT2000E IT2000M	MR16 GU 5.3 42W NW2000CE MR16 GU 5.3 50W NW2000CM NW2000E NW2000LM	MR16 GU 5.3 50W ISMR2000M

CODIFICATION EXAMPLE



ORDERING CODES

MODEL	LENSES	TRIM FINISHES	MARINE GRADE
S2100			
S2100	Standard: Frosted	-01 White	MG (optional)
C	Clear	-02 Black	May be applied on finishes:
FC	Frosted with clear center	-03 24K Gold Plated	-01, -02, -05, -06, -11 and -15
BF	Frosted convex	-04 Chrome	
BC	Clear convex	-04BR Brushed Chrome	
		-05 Architectural Bronze	
		-06 Antique Copper	
		-11 Matte White	
		-12BR Brushed Nickel	
		-13 Satin Nickel	
		-15 Metallic Grey	

MARINE GRADE

2-year warranty on finish

This option increases the painted finishes resistance by reducing and delaying apparition and propagation of oxidation (ex: rust and others).

MARINE GRADE treatment is recommended for damp to wet locations.

Unless otherwise indicated, trims are for interior use. Also suitable for cold and exterior locations, as in soffits, where fixtures are not subject to direct rain or snow exposure.

WARNING – This option is not suitable for salt environments and/or highly corrosive areas such as soffits in coastal regions and natatoriums. Such usage would void warranty on the product.



CONTRASTE

2018-01
Revision 1

PRINTED IN CANADA

1009, rue du Parc Industriel
Lévis (Québec) G6Z 1C5 Canada
Tel.: 1-888-839-4624
Fax.: 1-877-839-7057
contrastelighting.com
info@contrastelighting.com

© 2018 Contraste Lighting M.L. Inc.
All rights reserved

Contrast Lighting M.L. Inc. reserves the right to make changes in specifications and/or to discontinue any product at any time without notice or obligation and will not be liable for any consequences resulting from the use of this publication.