

REHE

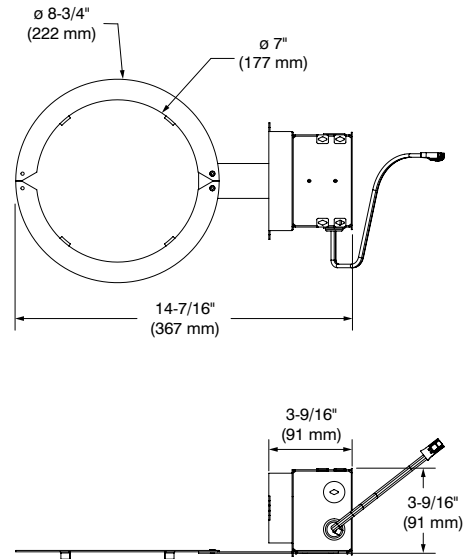
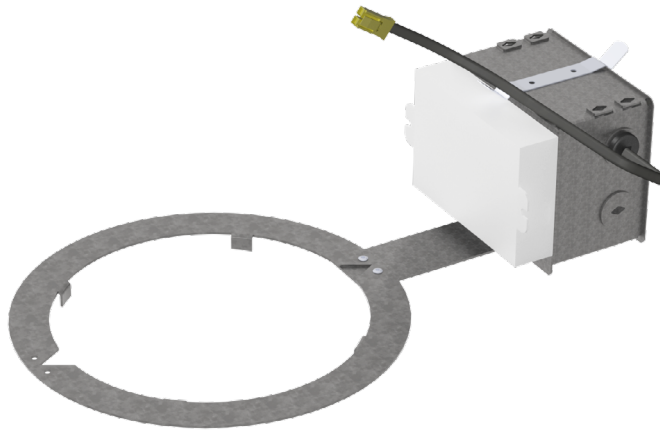
6" Series — HEXALED 2.0**Remodel Housing**

Project _____

Notes _____

Fixture type _____

Date _____



SPECIFICATIONS

HOUSING DETAILS	Galvanized steel housing. Junction box can support up to 10 - 14 gauge wires or 8 - 12 gauge wires (90° wires). Below-ceiling accessible.	
MOUNTING AND SUPPORT	Ceiling Cutout: \varnothing 7-1/4" (184 mm) Requires a 6-3/4" (172 mm) clearance beyond the ceiling level. Insulation material must be kept at least 3" (76 mm) away from the fixture. Can fit in ceiling up to 1-1/2" (38 mm) thick. Perfect fit into ceiling. No light leak.	
VOLTAGE	120V - 277V	
DRIVER (OPTIONS)	PERFORMANCE 20W, 28W, 36W 20W (2,250 lumens) 28W (3,100 lumens) 36W (3,850 lumens) <u>3 types of dimming offered:</u> <ul style="list-style-type: none"> • Electronic Low Voltage (ELV) (not dimmable on 277V) • 0-10V (Sinking Control) • Lutron Hi-Lume "A-Series" LED Driver with Eco System Control / 3-wire (CCR) 	PERFORMANCE 50W 50W (5,000 lumens) <u>2 types of dimming offered:</u> <ul style="list-style-type: none"> • Electronic Low Voltage (ELV) (not dimmable on 277V) • 0-10V (Sinking Control)

Due to constant evolution of LED lamps and associate dimmers we must test them regularly.

We invite you to consult frequently our Web site to find our dimmer compatibility list: www.contrastlighting.com

CONTRASTE

SPECIFICATION SHEET

REHE

6" Series — HEXALED 2.0

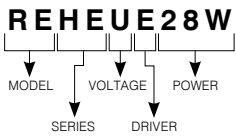
Remodel Housing



SPECIFICATIONS (CONT'D)

COMPATIBLE TRIMS	HEF-xx (fixed) HED-xx (adjustable)
CERTIFICATION	<ul style="list-style-type: none"> cULus E343977 for damp locations Energy Star (pending)
WARRANTY	5 years on LED driver

CODIFICATION EXAMPLE



ORDERING CODES

MODEL	SERIES	VOLTAGE	DRIVER	POWERS
RE	HE	U	E	20W
RE Remodel Housing	HE HexaLED	U Universal (120V/277V)	E ELV (not dimmable on 277V)	2,250 lumens
			D 0-10V (Sinking Control)	28W
			A Lutron Hi-Lume "A-Series", Eco System/3-wires (CCR)	36W
			(not available in 50W)	50W
				3,100 lumens
				3,850 lumens
				5,000 lumens