

RELD300

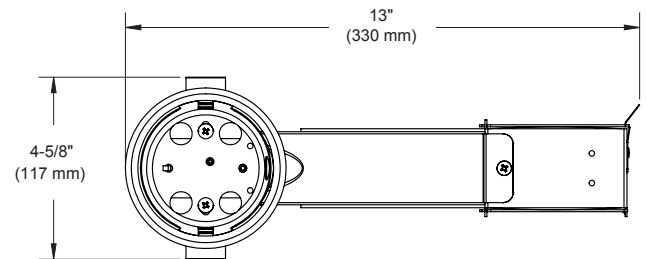
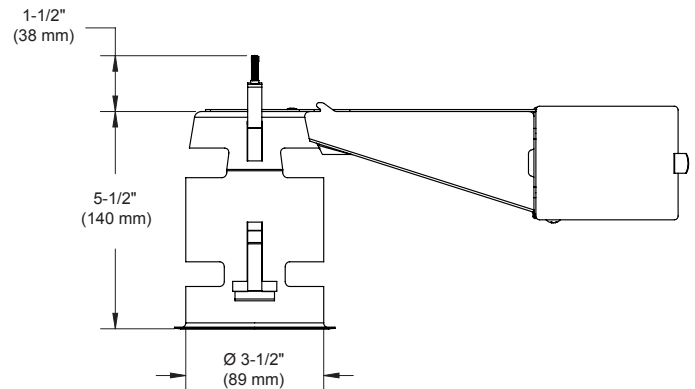
3-1/2" Series - Concerto LED

Remodel Non-IC Housing

Project	
Notes	
Fixture Type	
Date	

SPECIFICATIONS

HOUSING DETAILS	Galvanized steel and aluminum housing to optimize heat dissipation, of a thickness up to 18 gauge (0,051" / 1,3 mm). Junction box can support up to 10 - 14 gauge wires or 8 - 12 gauge wires (90° wires). Below-ceiling accessible.	
MOUNTING	Cutout diameter: Ø 3 5/8" (92 mm) Requires a 7" (178 mm) clearance beyond the ceiling level. Must be installed 3" (73 mm) from any insulating material. Patented hook (PAT#CAN 2,088,648 and #USA 5,377,088) for ease of installation and a perfect fit to ceiling. No light leakage. Can fit ceilings up to 7/8" (22 mm) thick.	
PERFORMANCE	Performance 1: 1,500 lumens (16W) Performance 2: 2,000 lumens (23W)	
POWER	ELV: 120V only 0-10V and PWM: Dual Voltage 120V / 277V	
DIMMING	3 types of dimming offered: • Electronic Low Voltage (ELV) • 0-10V • Lutron Hi-Lume A-Series LED Driver with Eco System Control / 3-wire (PWM) Due to constant evolution of dimmers we must test them regularly. We invite you to consult frequently our Web site to find our dimmer compatibility list: www.contrastlighting.com	
COMPATIBLE TRIMS	Performance 1 16W LD3A LD3F LD3B LD3G LD3C LD3H LD3D LD3I LD3E	Performance 2 23W LD3A LD3F LD3B LD3G LD3C LD3H LD3D LD3I LD3E
THERMAL PROTECTION	Performance 1: TC 149°F (65°C) Performance 2: TC 176°F (80°C)	
CERTIFICATION	cULus E343977 for damp and wet locations	
WARRANTY	5 years on LED driver	

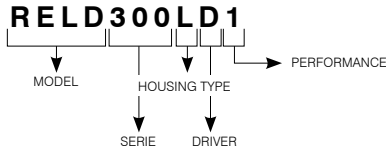


CONTRASTE

RELD300

3-1/2" Series - Concerto LED

CODIFICATION EXAMPLE



ORDERING CODES

MODEL		SERIE		HOUSING TYPE		DRIVER		PERFORMANCE	
RELD		300		L					
RELD	Remodel Non-IC Housing	300	300 Series	L	Long	*E	ELV - 120V Only	1	16W
						D	0-10V - Dual Voltage (120V / 277V)	2	23W
						A	Lutron Hi-Lume A-Series Eco System / 3-wire (PWM) Dual Voltage (120V / 277V)		

***(E available only in Performance 2)**

Performance 1 and 2 housings are compatible with performance 2 trims.



CONTRASTE