

RE40MR16

4" - Coastal Line

Remodel Housing IC and Air Tight (10W)
for MR16 (LED) and Halogen Lamp

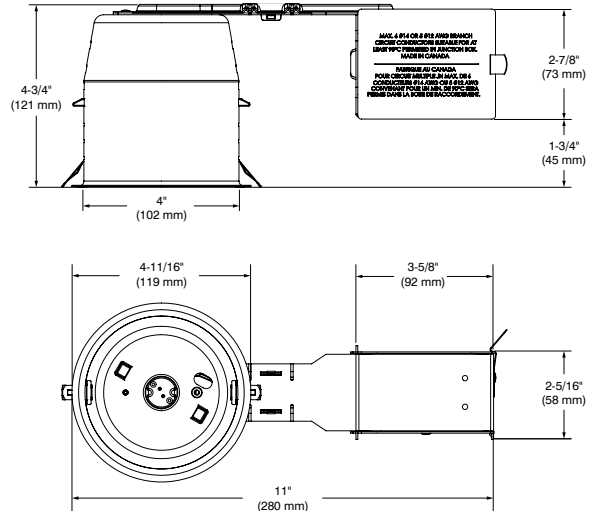


Project _____

Notes _____

Fixture Type _____

Date _____



SPECIFICATIONS

HOUSING DETAILS	Galvanized steel housing with E-coat painted pot + black powder coating 18 gauge up to 0.051" (1.3 mm) thickness. Flexible channel wire bracket made of 20 gauge steel, bending up to 45° vertically for ease of installation in confined spaces. 19-1/2 in ³ junction box can support up to 10 - 14 gauge wires or 8 - 12 gauge wires. Below-ceiling accessible.	
MOUNTING AND SUPPORT	Cutout diameter: ø 4-1/4" (108 mm) Can fit ceilings up to 2" (51 mm) thick. Requires a 4-3/4" (121 mm) clearance beyond the ceiling level. Tool-free snap-in hooks for ease of installation and a perfect fit to ceiling. No light leakage.	
LAMPS	MR16 LED GU5.3 10W MAX (IC & AIR TIGHT)	MR16 GU5.3 37W MAX (NOT IC & NOT AIR TIGHT)
VOLTAGE	120 Volts 277 Volts	
TRANSFORMER	LTF Electronic Transformers 120V-10W: TA15WA12LED65B15 120V-37W: TA60WA12LED65B15 277V-10W: TE15WA12LED65B15 277V-37W: TE60WA12LED65B15	
DIMMING	Only use ELV type. (To use the dimming option, please refer regularly to the lamp manufacturer compatibility list).	
COMPATIBLE TRIMS	S2000 T2000	
CERTIFICATION	<ul style="list-style-type: none"> cULus for damp locations; wet locations for shower trims (7W) only (for LED lamps) cULus for damp locations; wet locations for shower trims (20W) only (for halogen lamps) Certified Air Tight ASTM E283 (10W MAX) 	
WARRANTY	3-year limited warranty	

CONTRASTE

1009, rue du Parc Industriel
Lévis (Québec) G6Z 1C5 Canada
Tel.: 1-888-839-4624
Fax.: 1-877-839-7057
contrastlighting.com
info@contrastlighting.com

© 2020 Contrast Lighting M.L. Inc.
All rights reserved

Contrast Lighting M.L. Inc. reserves the right to make changes in specifications and/or to discontinue any product at any time without notice or obligation and will not be liable for any consequences resulting from the use of this publication.

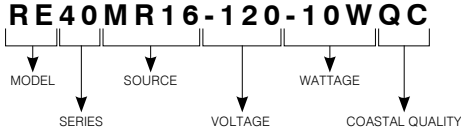
RE40MR16

4" - Coastal Line

Remodel Housing IC and Air Tight (10W)
for MR16 (LED) and Halogen Lamp



CODIFICATION EXAMPLE



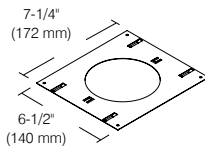
ORDERING CODES

MODEL	SERIES	SOURCE	VOLTAGE	WATTAGE	COASTAL QUALITY
RE	40	MR16			QC
RE Remodel Housing	40 4" Series	MR16 MR16 LED GU5.3 MR16 GU5.3	-120 120 Volts (ELV) -277 277 Volts (ELV)	-10W 10W (LED) -37W 37W (Halogen) *	QC Coastal Quality

*Not for isolated and air tight ceiling.

MOUNTING PLATES

Ceiling cutout: \varnothing 4-1/4" (108 mm)



Code: **P2000QC**

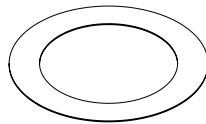
GOOF RINGS

Stainless Steel goof rings correct the openings too large or damaged ceiling cutout.



Available in the following finishes : -01, -02, -11 and -22.
Add finish color code and **QC** at the end of the goof rings code.
Ex.: RON2000-11**QC**

For round trims
Code: **RON2000**



Outside diameter: \varnothing 6-1/8" (156 mm)
Inside diameter: \varnothing 4-1/8" (105 mm)

CONTRASTE