

SPECIFICATION SHEET

# RE-XIC40PAR

4" Series — (315538)

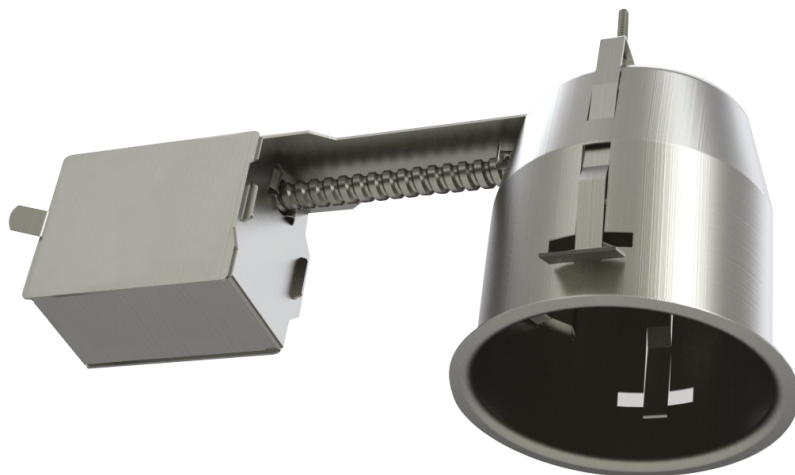
Project \_\_\_\_\_

Notes \_\_\_\_\_

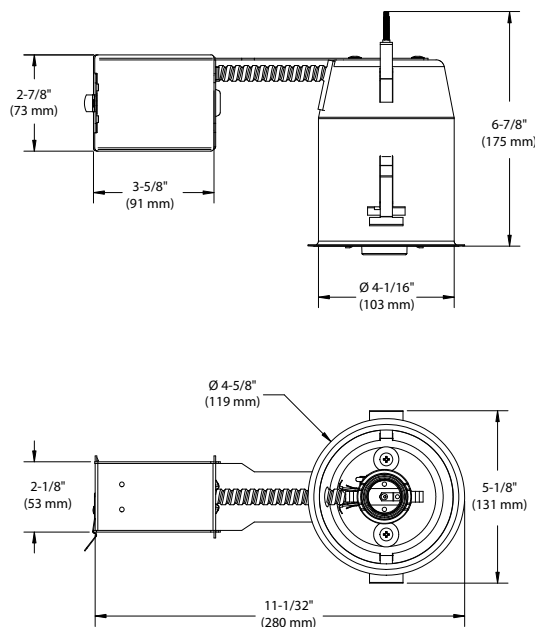
Fixture type \_\_\_\_\_

Date \_\_\_\_\_

## Remodel IC Air Tight Housing



\*Medium Base Housing (PAR16 and PAR20) illustrated



### SPECIFICATIONS

HOUSING DETAILS	18 gauge (0.051" / 1.3 mm) thickness galvanized steel Approved for installation in insulated ceiling with direct contact to insulating material (except polyurethane) Below-ceiling accessible				
MOUNTING	<b>Cutout diameter: ø 4-1/4" (108 mm)</b> Can fit in ceilings up to 7/8" (22 mm) thick Requires a 7" (178 mm) clearance beyond the ceiling level No light leakage Perfect fit to ceiling Hooks PAT#CAN.2.088.648 et #USA.5.377.088				
THERMAL PROTECTOR	TC 194°F (90°C)				
SOURCE	<b>LED PAR16 Lamp 10W MAX</b> <b>LED PAR20 Lamp 10W MAX</b>				
COMPATIBLE TRIMS	<b>PAR16</b>		<b>PAR20</b>		
	X4001	X4010	X4004	X4007	X4009
	X4003		X4005	X4008	
VOLTAGE	120 Volts (CAN & USA)				

# RE-XIC40PAR

4" Series — (315538)

## Remodel IC Air Tight Housing

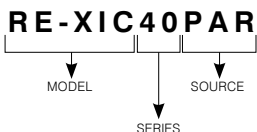


### SPECIFICATIONS (CONT'D)

CERTIFICATION • cULus Listed E174023 for damp and wet location  
 • Certified Air Tight ASTM E283

WARRANTY 1 year limited warranty (Housings and Trims)

### CODIFICATION EXAMPLE



### ORDERING CODE

MODEL		SERIES		SOURCE	
<b>RE-XIC</b>		<b>40</b>		<b>PAR</b>	
<b>RE-XIC</b>	Remodel IC Housing	<b>40</b>	4" Series	<b>PAR</b>	PAR16 PAR20