

# PROG40

## 4" Profilux Series

### Complete Unit: LED Round Adjustable Trim including the Junction Box and Driver

Project \_\_\_\_\_

Notes \_\_\_\_\_

Fixture Type \_\_\_\_\_

Date \_\_\_\_\_

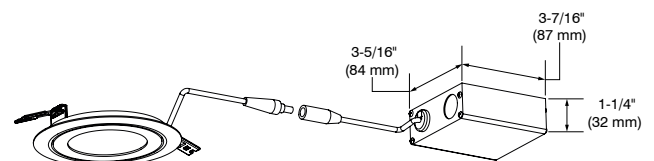
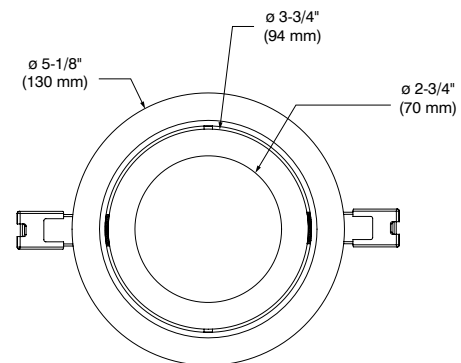
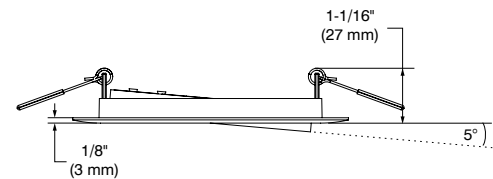


PROG40-22xx (illustrated)

Recessed ultra-thin LED trim for insulated ceiling and suitable for damp locations. The thin profile with spring clips allows for quick and easy installation. Ideal for confined spaces.

#### SPECIFICATIONS

COLOR TEMPERATURES	3,000K and 4,000K
CRI	80+
LED MODULE	Epistar 2835
VOLTAGE	120 VAC
POWER	9 Watts
POWER FACTOR	>85%
LUMEN OUTPUT	Up to 650 lumens, 73 lm/W
LIFESPAN	L70 @ 50,000 hours
TRIM	Thin profile 1-1/16" (27 mm) Matte White <b>(-11)</b> , Brushed Nickel <b>(-12BR)</b> or Matte Black <b>(-22)</b> finishes available. Packaged with a plastic protection film on the bottom face to ensure ease of installation.
BEAM	Very Wide Flood → 110°
WIRE TYPE	FT4



JUNCTION BOX

# CONTRASTE

1009, rue du Parc Industriel  
Lévis (Québec) G6Z 1C5 Canada  
Tel.: 1-888-839-4624  
Fax.: 1-877-839-7057  
contrastlighting.com  
info@contrastlighting.com

© 2017 Contrast Lighting M.L. Inc.  
All rights reserved

Contrast Lighting M.L. Inc. reserves the right to make changes in specifications and/or to discontinue any product at any time without notice or obligation and will not be liable for any consequences resulting from the use of this publication.

# PROG40

## 4" Profilux Series

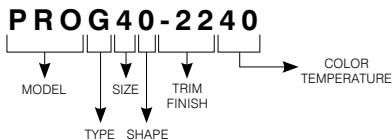
### Complete Unit: LED Round Adjustable Trim including the Junction Box and Driver



#### SPECIFICATIONS (CON'T)

MOUNTING	The space required beyond ceiling material is 1-1/2" (38 mm). The maximal thickness of the ceiling is 1" (25 mm). Beyond this thickness, springs will apply less pressure between the trim and the ceiling. The base of the trim will thus have some difficulty to sit flush with the ceiling.
CEILING CUTOUT	<b>ø 4-1/4" (108 mm)</b> MIN ø 4-1/4" (108 mm) / MAX ø 5" (127 mm)
JUNCTION BOX	Junction box with independent auxiliary connection and keyholes for fixing to the structure. Includes driver with factory assembled triple push-in connectors. Also provided with 1 complimentary 1/2" (13 mm) strain relief connector for non-metallic sheathed cable as well as 2 screws and anchors for fixation.
DIMMING	Compatible with Electronic Low Voltage (ELV) and Incandescent (TRIAC) dimmers. We invite you to consult frequently our Web site to find our suggested compatible dimmers list: <a href="http://www.contrastlighting.com">www.contrastlighting.com</a>
OPTIONS	<ul style="list-style-type: none"> <li>• 6' (2 m) and 20' (6 m) cables (see ordering code)</li> <li>• Mounting Plates (see ordering code)</li> <li>• Goof Rings (see ordering code)</li> </ul>
CERTIFICATION	Certified ETL for damp locations and insulated ceilings (type IC)
WARRANTY	5-year warranty

#### CODIFICATION EXAMPLE



#### ORDERING CODES

MODEL	TYPE	SIZE	SHAPE	TRIM FINISHES	COLOR TEMPERATURES
<b>PRO</b>	<b>G</b>	<b>4</b>	<b>0</b>		
<b>PRO</b> Profilux	<b>G</b> Adjustable	<b>4</b> 4 inches	<b>0</b> Round	<b>-11</b> Matte White <b>-12BR</b> Brushed Nickel <b>-22</b> Matte Black	<b>30</b> 3,000K <b>40</b> 4,000K

# CONTRASTE

1009, rue du Parc Industriel  
Lévis (Québec) G6Z 1C5 Canada  
Tel.: 1-888-839-4624  
Fax.: 1-877-839-7057  
contrastlighting.com  
info@contrastlighting.com

© 2017 Contrast Lighting M.L. Inc.  
All rights reserved

Contrast Lighting M.L. Inc. reserves the right to make changes in specifications and/or to discontinue any product at any time without notice or obligation and will not be liable for any consequences resulting from the use of this publication.

# PROG40

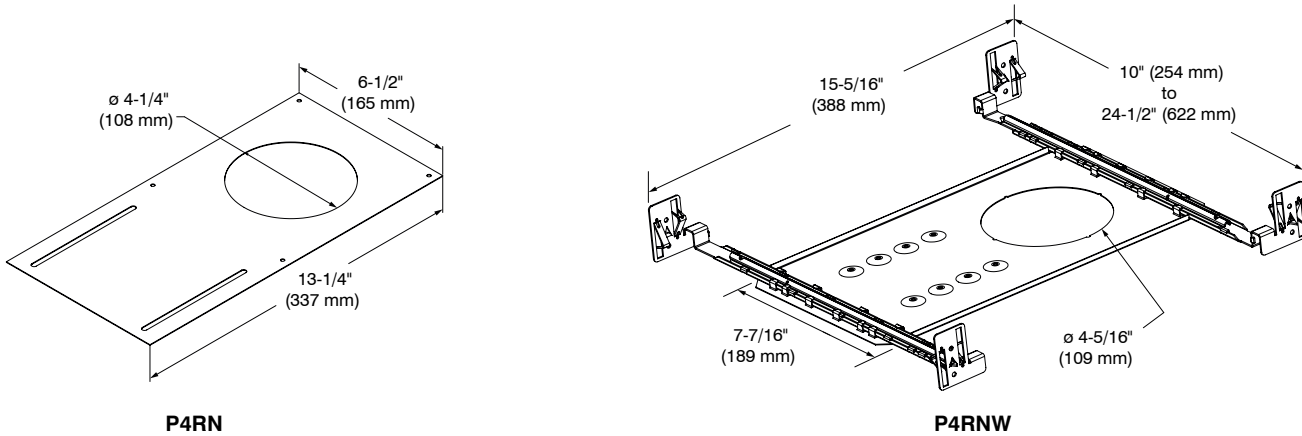
4" Profilux Series

**Complete Unit: LED Round Adjustable Trim including the Junction Box and Driver**



## MOUNTING PLATES OPTION

**Code: P4RN** (without bars)  
**P4RNW** (with bars)



## GOOF RINGS OPTION

**Code: RR4-11** (Matte White)  
**RR4-12BR** (Brushed Nickel)  
**RR4-22** (Matte Black)

Outside diameter:  $\varnothing$  6-1/8" (156 mm)  
 Inside diameter:  $\varnothing$  4-1/4" (108 mm)

## CABLES OPTION

**Code: PRO-CBL6** (6' (2 m))  
**PRO-CBL20** (20' (6 m))