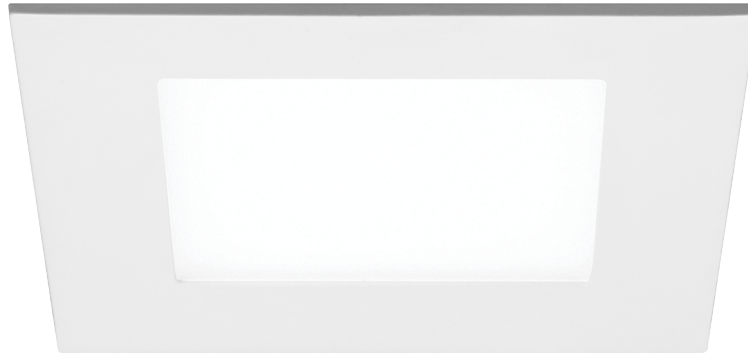


# PROF41

4" Profilux Series

**Complete Unit: LED Square Downlight Trim including the Junction Box and Driver**

Project \_\_\_\_\_  
 Notes \_\_\_\_\_  
 Fixture Type \_\_\_\_\_  
 Date \_\_\_\_\_

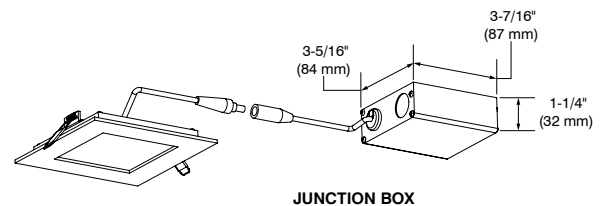
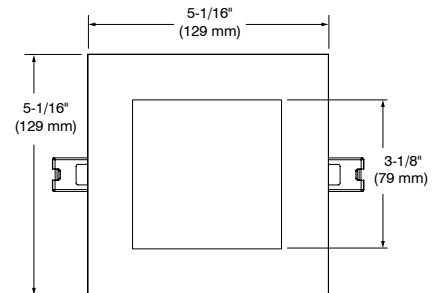


PROF41-11xx (illustrated)

Recessed ultra-thin Air Tight LED trim for insulated ceiling and suitable for wet locations. The thin profile with spring clips allows for quick and easy installation. Ideal for confined spaces.

## SPECIFICATIONS

COLOR TEMPERATURES	3,000K and 4,000K
CRI	80+
LED MODULE	Epistar 2835
VOLTAGE	120 VAC
POWER	9 Watts
POWER FACTOR	>85%
LUMEN OUTPUT	Up to 700 lumens, 78 lm/W
LIFESPAN	L70 @ 50,000 hours
TRIM	Thin profile lower than 1-3/16" (30 mm) Matte White <b>(-11)</b> , Brushed Nickel <b>(-12BR)</b> and Matte Black <b>(-22)</b> available. Packaged with a plastic protection film on the bottom face to ensure ease of installation.
BEAM	Very Wide Flood → 110°
WIRE TYPE	FT4
MOUNTING	The space required beyond ceiling material is 1-1/2" (38 mm). The maximal thickness of the ceiling is 1" (25 mm). Beyond this thickness, springs will apply less pressure between the trim and the ceiling. The base of the trim will thus have some difficulty to sit flush with the ceiling.



# CONTRASTE

1009, rue du Parc Industriel  
 Lévis (Québec) G6Z 1C5 Canada  
 Tel.: 1-888-839-4624  
 Fax.: 1-877-839-7057  
 contrastlighting.com  
 info@contrastlighting.com

© 2017 Contrast Lighting M.L. Inc.  
 All rights reserved

Contrast Lighting M.L. Inc. reserves the right to make changes in specifications and/or to discontinue any product at any time without notice or obligation and will not be liable for any consequences resulting from the use of this publication.

# PROF41

## 4" Profilux Series

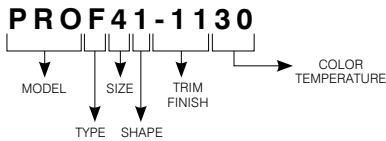
### Complete Unit: LED Square Downlight Trim including the Junction Box and Driver



#### SPECIFICATIONS (CON'T)

CEILING CUTOUT	<b>4-1/4" (108 mm) x 4-1/4" (108 mm)</b> MIN 4-1/16" (103 mm) x 4-1/16" (103 mm) / MAX 4-7/8" (124 mm) x 4-7/8" (124 mm)
JUNCTION BOX	Junction box with independent auxiliary connection and keyholes for fixing to the structure. Includes driver with factory assembled triple push-in connectors. Also provided with 1 complimentary 1/2" (13 mm) strain relief connector for non-metallic sheathed cable as well as 2 screws and anchors for fixation.
DIMMING	Compatible with Electronic Low Voltage (ELV) and Incandescent (TRIAC) dimmers. We invite you to consult frequently our Web site to find our suggested compatible dimmers list: <a href="http://www.contrastlighting.com">www.contrastlighting.com</a>
OPTIONS	<ul style="list-style-type: none"> <li>• 6' (2 m) and 20' (6 m) cables (see ordering code)</li> <li>• Mounting Plates (see ordering code)</li> </ul>
CERTIFICATION	<ul style="list-style-type: none"> <li>• Certified ETL for wet locations and insulated ceilings (type IC)</li> <li>• Certified ASTM E283 Air Tight</li> <li>• Certified Energy Star®</li> </ul>
WARRANTY	5-year warranty

#### CODIFICATION EXAMPLE



#### ORDERING CODES

MODEL	TYPE	SIZE	SHAPE	TRIM FINISHES	COLOR TEMPERATURES
<b>PRO</b>	<b>F</b>	<b>4</b>	<b>1</b>		
<b>PRO</b> Profilux	<b>F</b> Downlight	<b>4</b> 4 inches	<b>1</b> Square	<b>-11</b> Matte White <b>-12BR</b> Brushed Nickel <b>-22</b> Matte Black	<b>30</b> 3,000K <b>40</b> 4,000K

# CONTRASTE

1009, rue du Parc Industriel  
Lévis (Québec) G6Z 1C5 Canada  
Tel.: 1-888-839-4624  
Fax.: 1-877-839-7057  
contrastlighting.com  
info@contrastlighting.com

© 2017 Contrast Lighting M.L. Inc.  
All rights reserved

Contrast Lighting M.L. Inc. reserves the right to make changes in specifications and/or to discontinue any product at any time without notice or obligation and will not be liable for any consequences resulting from the use of this publication.

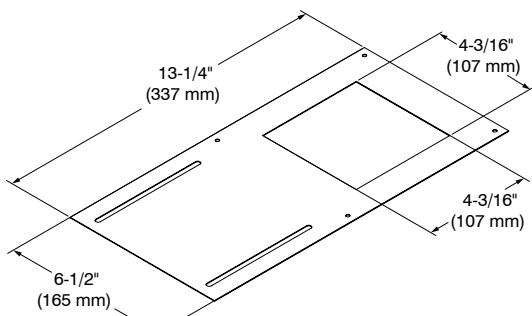
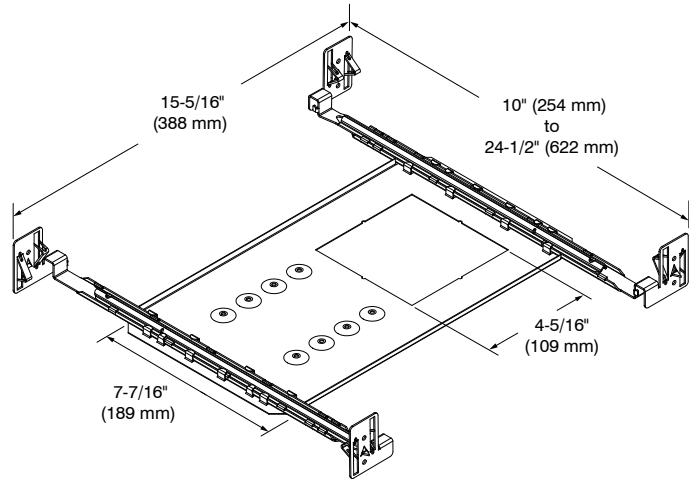
## SPECIFICATION SHEET

# PROF41

4" Profilux Series

**Complete Unit: LED Square Downlight Trim  
including the Junction Box and Driver**

## MOUNTING PLATES OPTION

Code: **P4SN** (without bars)**P4SNW** (with bars)**P4SN****P4SNW**

## CABLES OPTION

Code: **PRO-CBL6** (6' (2 m))**PRO-CBL20** (20' (6 m))

# CONTRASTE

1009, rue du Parc Industriel  
Lévis (Québec) G6Z 1C5 Canada  
Tel.: 1-888-839-4624  
Fax.: 1-877-839-7057  
contrastlighting.com  
info@contrastlighting.com© 2017 Contrast Lighting M.L. Inc.  
All rights reserved

Contrast Lighting M.L. Inc. reserves the right to make changes in specifications and/or to discontinue any product at any time without notice or obligation and will not be liable for any consequences resulting from the use of this publication.