

SPECIFICATION SHEET

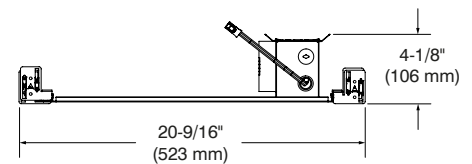
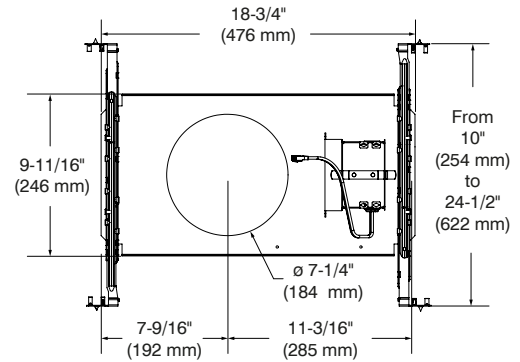
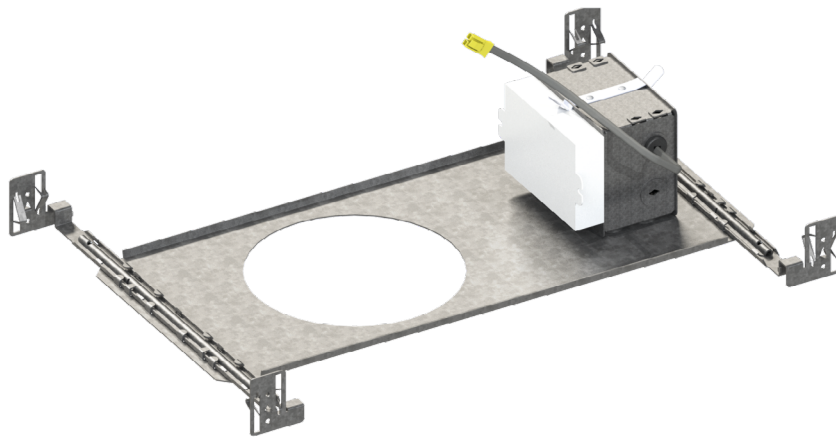
NWHE**6" Series — HEXALED 2.0****New Construction Housing**

Project _____

Notes _____

Fixture type _____

Date _____

**SPECIFICATIONS**

HOUSING DETAILS	Galvanized steel housing. Junction box can support up to 10 - 14 gauge wires or 8 - 12 gauge wires (90° wires). Below-ceiling accessible.	
MOUNTING AND SUPPORT	Ceiling Cutout: \varnothing 7-1/4" (184 mm) Requires a 6-3/4" (172 mm) clearance beyond the ceiling level. Insulation material must be kept at least 3" (76 mm) away from the fixture. Mounting bars extend from 10" (254 mm) to 24-1/2" (622 mm) to fit in most ceiling structures. Can fit in ceiling up to 1-1/2" (38 mm) thick. Perfect fit into ceiling. No light leak .	
VOLTAGE	120V - 277V	
DRIVER (OPTIONS)	PERFORMANCE 20W, 28W, 36W 20W (2,250 lumens) 28W (3,100 lumens) 36W (3,850 lumens) <u>3 types of dimming offered:</u> <ul style="list-style-type: none"> • Electronic Low Voltage (ELV) (not dimmable on 277V) • 0-10V (Sinking Control) • Lutron Hi-Lume "A-Series" LED Driver with Eco System Control / 3-wire (CCR) 	PERFORMANCE 50W 50W (5,000 lumens) <u>2 types of dimming offered:</u> <ul style="list-style-type: none"> • Electronic Low Voltage (ELV) (not dimmable on 277V) • 0-10V (Sinking Control)

Due to constant evolution of LED lamps and associate dimmers we must test them regularly.

We invite you to consult frequently our Web site to find our dimmer compatibility list: www.contrastlighting.com

CONTRASTE

2018-05

PRINTED IN CANADA

1009, rue du Parc Industriel
Lévis (Québec) G6Z 1C5 Canada
Tel.: 1-888-839-4624
Fax.: 1-877-839-7057
contrastlighting.com
info@contrastlighting.com

© 2018 Contraste Lighting M.L. Inc.
All rights reserved

Contrast Lighting M.L. Inc. reserves the right to make changes in specifications and/or to discontinue any product at any time without notice or obligation and will not be liable for any consequences resulting from the use of this publication.

SPECIFICATION SHEET

NWHE

6" Series — HEXALED 2.0

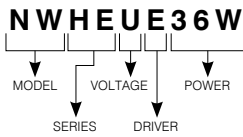
New Construction Housing



SPECIFICATIONS (CONT'D)

COMPATIBLE TRIMS	HEF-xx (fixed) HED-xx (adjustable)
CERTIFICATION	<ul style="list-style-type: none"> cULus E343977 for damp locations Energy Star (pending)
WARRANTY	5 years on LED driver

CODIFICATION EXAMPLE



ORDERING CODES

MODEL	SERIES	VOLTAGE	DRIVERS	POWERS
NW	HE	U		
NW New Construction Housing	HE HexaLED	U Universal (120V/277V)	E ELV (not dimmable on 277V) D 0-10V (Sinking Control) A Lutron Hi-Lume "A-Series", Eco System/3-wires (CCR) (not available in 50W)	20W 2,250 lumens 28W 3,100 lumens 36W 3,850 lumens 50W 5,000 lumens