

NWUR4

4" URBAÏ Series IC and Air Tight New Construction Housing

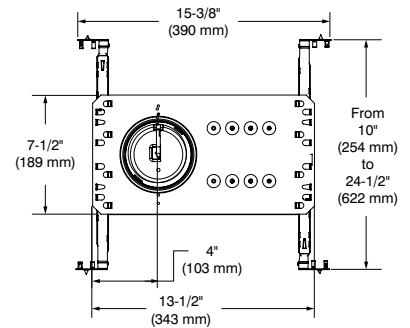
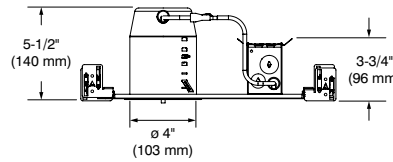


Project _____

Notes _____

Fixture Type _____

Date _____



SPECIFICATIONS

HOUSING DETAILS

Up to 0,051" (1,3 mm) thick galvanized steel housing.
Approved for installation in insulated ceilings and in direct contact with insulating material (except polyurethane) on performance 1 only.
26-1/2 in³ junction box.
Below-ceiling accessible.

MOUNTING

Cutout diameter:
ø 4-1/4" (108 mm)
Can fit ceilings up to 2" (51 mm) thick.
Requires a 6" (152 mm) clearance beyond the ceiling level.
Snap-in hooks for ease of installation and a perfect fit to ceiling.
Mounting bars extend from 10" (254 mm) to 24-1/2" (622 mm) to fit in most ceilings.
No light leakage.

PERFORMANCE

1: 10W IC
up to 1,018 lm

2: 15W Non-IC
up to 1,326 lm

Warm Dimming (WD)
up to 650 lm

VOLTAGE

120 Volts
277 Volts
120 / 277 Volts (universal)

DIMMING

ELV: 120V only
0-10V: Sourcing driver
(Sinking Control)
120V or 277V

We invite you to consult frequently our Website to find our suggested compatible dimmers list:
www.contrastlighting.com

COMPATIBLE TRIMS

JA8 LISTED JA8 CERTIFIED (CEC)
UR4A, UR4B, UR4C, UR4D, UR4E,
UR4H, UR4J, UR4L

UR4G, UR4K

CERTIFICATION

- cULus **E343977** for damp locations; wet with shower trim only.
- Air Tight tested in accordance with ASTM E283
- CALIFORNIA TITLE 24 (JA8-2016)
(Only available with Performance 1)

WARRANTY

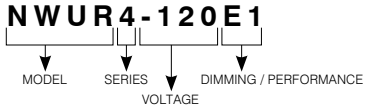
1 year on components against manufacturing defects.
5 years on LED arrays and drivers.

NWUR4

4" URBAĪ Series IC and Air Tight New Construction Housing



CODIFICATION EXAMPLE FOR 120V



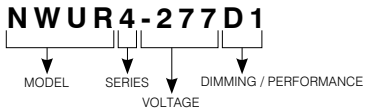
ORDERING CODES for 120V

MODEL	SERIES	VOLTAGE	DIMMING / PERFORMANCE
NWUR	4	-120	
NWUR New Construction	4 4" Series	-120 120V	E1 ELV / 10W E2* ELV / 15W EB2* ELV (+Value) / 15W D1 0-10V / 10W — D2* 0-10V / 15W

Contraste suggests ordering **EB2 (ELV (+Value)/15W)** or **D2 (0-10V/15W)** dimming type and performance to use with Warm Dimming

* Non-IC rated

CODIFICATION EXAMPLE FOR 277V



ORDERING CODES for 277V

MODEL	SERIES	VOLTAGE	DIMMING / PERFORMANCE
NWUR	4	-277	
NWUR New Construction	4 4" Series	-277 277V	D1 0-10V / 10W D2* 0-10V / 15W 2* Non-Dimmable / 15W

Contraste suggests ordering **D2 (0-10V/15W)** dimming type and performance to use with Warm Dimming

* Non-IC rated

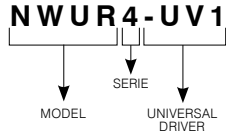
SPECIFICATION SHEET

NWUR4

4" URBAI Series IC and Air Tight New Construction Housing



UNIVERSAL HOUSING CODIFICATION EXAMPLE



ORDERING CODES for Universal Housing

MODEL	SERIE	UNIVERSAL DRIVER
NWUR	4	
NWUR New Construction	4 4" Series	-UV1 Performance 1 ELV (120V) 10W 0-10V (120V) 10W 0-10V (277V) 10W
		-UV2* Performance 2 ELV (120V) 15W 0-10V (120V) 15W 0-10V (277V) 15W

Contraste suggests ordering **UV2 (ELV/0-10V/15W)** dimming type and performance to use with Warm Dimming

* Non-IC rated

GOOF RINGS

Goof rings will help you fix larger than necessary or damaged ceiling cutouts.

For round trims.

Code: RR4-01 (White)
RR4-03SA (Satin Gold)
RR4-04BR (Brushed Chrome)
RR4-11 (Matte White)
RR4-12BR (Brushed Nickel)
RR4-13 (Satin Nickel)
RR4-22 (Matte Black)
RR4-25 (Polar Grey)

Outside diameter: \varnothing 6-1/8" (156 mm)
 Inside diameter: \varnothing 4-1/8" (105 mm)

For square trims.

Code: RS4-01 (White)
RS4-03SA (Satin Gold)
RS4-04BR (Brushed Chrome)
RS4-11 (Matte White)
RS4-12BR (Brushed Nickel)
RS4-13 (Satin Nickel)
RS4-22 (Matte Black)
RS4-25 (Polar Grey)

Outside dimensions: 5-1/2" (140 mm) x 5-1/2" (140 mm)
 Inside diameter: \varnothing 4-1/8" (105 mm)

CONTRASTE

2018-04
Revision 1

PRINTED IN CANADA

1009, rue du Parc Industriel
 Lévis (Québec) G6Z 1C5 Canada
 Tel.: 1-888-839-4624
 Fax.: 1-877-839-7057
 contrastlighting.com
 info@contrastlighting.com

© 2018 Contrast Lighting M.L. Inc.
 All rights reserved

Contrast Lighting M.L. Inc. reserves the right to make changes in specifications and/or to discontinue any product at any time without notice or obligation and will not be liable for any consequences resulting from the use of this publication.