

NWLD200

4" Series - Concerto & Intermezzo LED

New Construction Non-IC Housing

Project _____

Notes _____

Fixture Type _____

Date _____

SPECIFICATIONS

HOUSING DETAILS Galvanized steel housing with a thickness up to 18 gauge (0,051" (1,3 mm)).
 Junction box can support up to 10 - 14 gauge wires or 8 - 12 gauge wires (90° wires).
 Below-ceiling accessible.

MOUNTING **Cutout diameter: Ø 4-1/4" (108 mm)**
 Insulated material must be kept at least 3" (76 mm) away from the fixture.
 Can fit in ceilings up to 1-1/2" (38 mm) thick.
 Contrast hooks for ease of installation and a perfect fit to ceiling.
 No light leakage.
 Mounting bars extend from 10" (254 mm) to 24-1/2" (622 mm) to fit in most ceiling structures.

PERFORMANCE **Performance 1:** Up to 1,500 lumens (16W) determined by the choice of the trims
Performance 2: Up to 2,000 lumens (23W) determined by the choice of the trims
Performance 3: Up to 2,500 lumens (30W) determined by the choice of the trims

POWER **ELV:** 120V only
0-10V and PWM: Dual Voltage 120V / 277V

DIMMING 3 types of dimming offered:

- Electronic Low Voltage (ELV)
- 0-10V
- Lutron Hi-Lume A-Series LED Driver with Eco System Control / 3-wire (PWM)

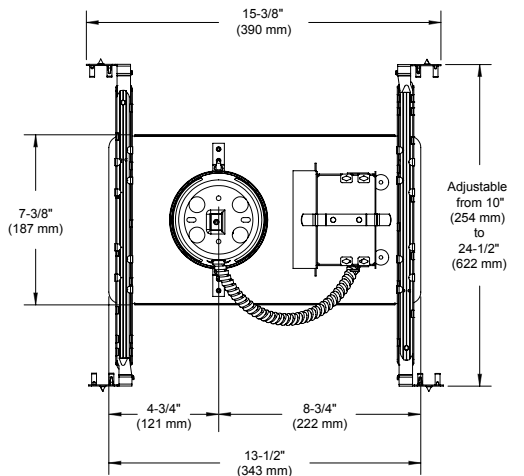
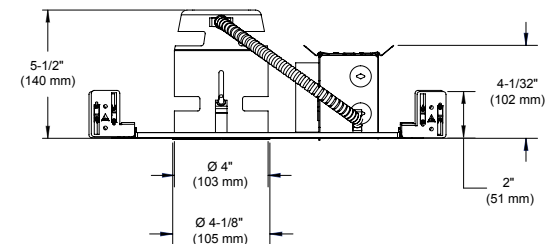
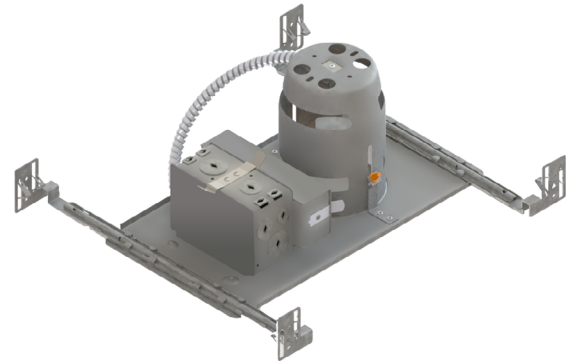
Due to constant evolution of dimmers we must test them regularly.
 We invite you to consult frequently our Web site to find our dimmer compatibility list:
www.contrastlighting.com

COMPATIBLE TRIMS	NWLD200L E/D/A 1/2				NWLD200L D/A 3
	Performance 1		Performance 2		Performance 3
	Concerto 16W	Intermezzo 16W	Concerto 23W	Intermezzo 23W	Concerto 30W
	LD2A	INT20PA	LD2A	INT20PA	LD2J
	LD2B	INT20PR	LD2B	INT20PR	LD2K
	LD2C	INT21PA	LD2C	INT21PA	
	LD2D	INT21PR	LD2D	INT21PR	
	LD2E		LD2E		
	LD2F		LD2F		
	LD2J		LD2J		
	LD2K		LD2K		

THERMAL PROTECTION Performance 1: TC 149°F (65°C)
 Performance 2: TC 176°F (80°C)
 Performance 3: TC 176°F (80°C)

CERTIFICATION cULus **E343977** for damp and wet locations

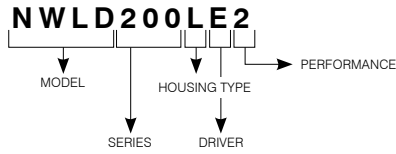
WARRANTY 5 years on LED driver.



NWLD200

4" Series - Concerto & Intermezzo LED

CODIFICATION EXAMPLE



ORDERING CODES

MODEL	SERIES	HOUSING TYPE	DRIVER	PERFORMANCE
NWLD	200	L		
NWLD New Construction Non-IC Housing	200 200 Series	L Long	*E ELV - 120V Only D 0-10V - Dual Voltage (120V / 277V) A Lutron Hi-Lume A-Series Eco System / 3-wire (PWM) Dual Voltage (120V / 277V)	1 16W 2 23W 3 30W

***(E available only in Performance 2)**

**Performance 1 and 2 housings are compatible with performance 2 trims.
 Performance 3 housings are only compatible with performance 3 trims.**

