

NW2000E-LED

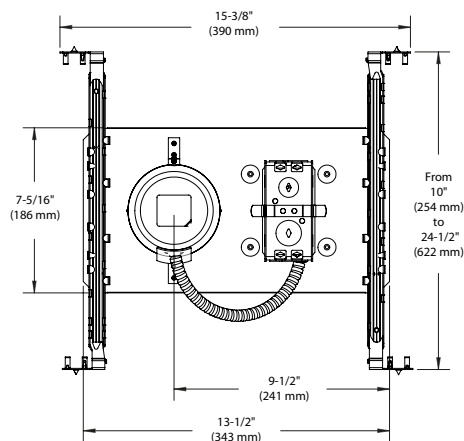
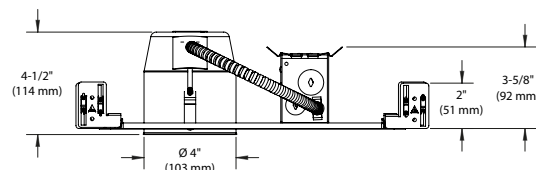
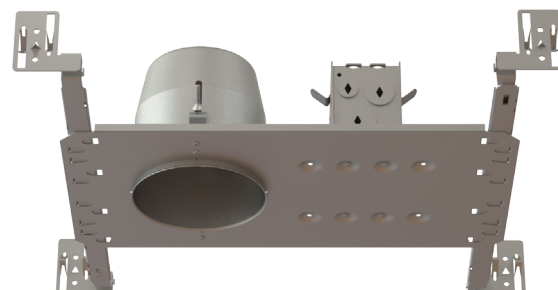
4" 2000 Series - Evolution LED

IC Air Tight New Construction Housing with Electronic Transformer for MR16 LED Lamp

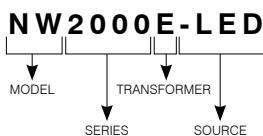
Project	
Notes	
Fixture Type	
Date	

SPECIFICATIONS

HOUSING DETAILS	18 gauge 0.051" (1.3 mm) thickness galvanized steel. Approved for installation in insulated ceiling in direct contact with insulating material (except polyurethane). Air Tight. Junction box can support up to 10 – 14 gauge wires or 8 – 12 gauge wires. Below-ceiling accessible.				
MOUNTING	Cutout diameter: Ø 4-1/4" (108 mm) Can fit in ceilings up to 1-1/2" (38 mm) thick. Requires a 4-1/2" (114 mm) clearance beyond the ceiling level. Contrast hooks for ease of installation and a perfect fit to ceiling. Mounting bars extend from 10" (254 mm) to 24-1/2" (622 mm) to fit in most ceiling structures (compatible with suspended ceilings). No light leakage.				
LAMP	MR16 LED GU 5.3 11.5W MAX				
VOLTAGE	120 Volts				
CONVERTER	Electronic Converter Hatch A/C LED, 15W 120V/12V (RS12-15M-LED) Dedicated to LED Lamps				
DIMMING	During Product Development Contrast tested some dimmers that you will find by consulting regularly the dimmer compatibility list on our website at (www.contrastlighting.com). Constant progresses in LED lamps and dimmers technologies may offer change in compatibility options that you will find by consulting frequently the lamp manufacturer compatibility list.				
COMPATIBLE TRIMS	R2000 R2000DG R2000V	R2020 R2051 R2100	R2100VT R2120 R2450VT	S2000 S2000R S2100	S2100R T2000
THERMAL PROTECTION	TC 194°F (90°C)				
CERTIFICATION	<ul style="list-style-type: none"> cULus E343977 for damp locations Certified Air Tight ASTM E283 				
WARRANTY	5 years on socket and 3 years on electronic transformer.				



CODIFICATION EXAMPLE



ORDERING CODE

MODEL	SERIES	TRANSFORMER	SOURCE
NW	2000	E	-LED
NW New Construction	2000 4" Series	E Electronic	-LED MR16 LED Lamp

