

Concerto LED - LD2C

4" Series

Low Profile Round Shower Trim

DESCRIPTION

This series round or square trims, wide beam and frosted lens, illuminates almost entirely confined space such as a shower.

SPECIFICATIONS

COLOR TEMPERATURES	2,700K, 3,000K, 3,500K and 4,000K
CRI	80 + 90 + (only at 3,000K)
POWER SUPPLY	Several driver models available giving you 3 dimming options: ELV, 0-10V or Pulse Width Modulation (PWM).
LED MODULE	Bridgelux Vero 18, delivers a lumen maintenance greater than 70% after 50,000 hours of operation (L_{70}). Provides a high quality true color and a clean white light without hot spots. Binning within 3 steps on MacAdam ellipse. Surpass ANSI binning requirements.
DELIVERED LUMENS (Determined by the choice of housing)	Performance 1: 860 lumens, 55 lm/W Performance 2: 1,205 lumens, 53 lm/W
TRIM	Powder coated paint or plated die-formed steel. Different finishes available. Painted finishes available with Marine Grade option.
BEAM	W: Flood \longrightarrow 51°
LENSES	Choice of available lenses: Clear (C), Frosted (F), Frosted with clear center (FC)
HEAT SINK	High quality aluminum injected heat sink ensuring maximum heat dissipation.
CEILING CUTOUT	Ø 4-1/4" (108 mm)

COMPATIBLE HOUSINGS	Remodel Housing	New Construction Housing	Insulated Housing	
(Performance 2 trims work with either performance 1 and 2 housings.)	Performance 1 (1,500 lumens)	RELD200LD1 RELD200LA1	NWLD200LD1 NWLD200LA1	ISLD200LD1 ISLD200LA1
	Performance 2 (2,000 lumens)	RELD200LE2 RELD200LD2 RELD200LA2	NWLD200LE2 NWLD200LD2 NWLD200LA2	ISLD200LE2 ISLD200LD2 ISLD200LA2

For dimming, please refer to the selected housing specification sheet.

CERTIFICATION	cULus E343977 for wet locations
WARRANTY	1 year for standard finishes, 2 years on "Marine Grade" finish and 5 years on LED module.

Project _____

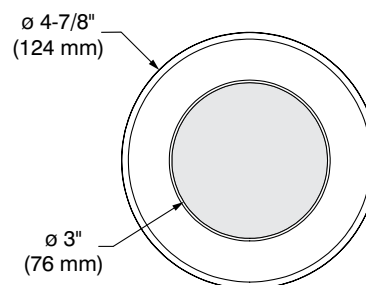
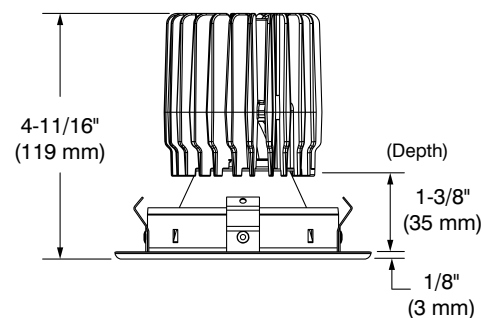
Notes _____

Fixture Type _____

Date _____



LD2CF-02
(illustrated)



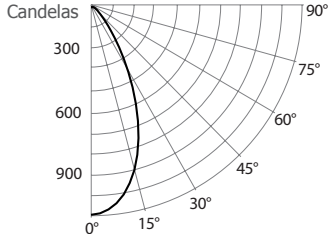
Concerto LED - LD2C

4" Series

PHOTOMETRIC DATA

3,000K, 80 + of CRI, Flood with performance 1 housing

CANDLEPOWER DISTRIBUTION



LIGHT CONE

Distance	FC	DIA
06'	27.2	5.7'
08'	15.3	7.6'
10'	9.8	9.5'
12'	6.8	11.4'
14'	5.0	13.3'
16'	3.8	15.2'

Beam: 51°
Beam Edge defined as 50% of Maximum Nadir Candle-power.

LUMINAIRE

Performance 1 LED	3,000K Flood	
CBCP / Lumens	979	/ 859
Watts	120V	277V
	15.59W	16.09W
Operating AMPS	0.13A	0.058A
Lumen Maintenance	L70 @ 50,000 Hrs	
CRI	80 +	
Lumens/Watt	55	
Spacing Criteria	0.8	
Certificate LM79-08	475837	

COEFFICIENT OF UTILIZATION - %

Ceiling Reflect %	80			50			30		
Wall Reflect %	50	30	50	30	50	30	50	30	50
RCR	0	119	119	111	111	106	106	106	106
	2	103	99	98	95	95	95	92	92
	4	90	85	87	83	85	85	81	81
	6	80	74	78	73	76	76	72	72
	8	71	65	69	64	68	68	64	64
	10	64	58	62	57	62	57	62	57

Zonal Cavity Method

Effective Floor Cavity Reflectance 20%

ZONAL LUMEN SUMMARY

ZONE	LUMENS	%LUMINAIRE
0-30	539	62.69%
0-40	687	79.97%
0-60	809	94.18%
60-90	50	5.82%
0-90	859	100%

MULTIPLE UNIT DATA - (RCR 2)

SPACING ON CENTER	INITIAL FOOTCANDLES	WATTS/SQ. FT.
5'	40	0.69
6'	23	0.39
7'	16	0.27
8'	16	0.27
9'	10	0.17

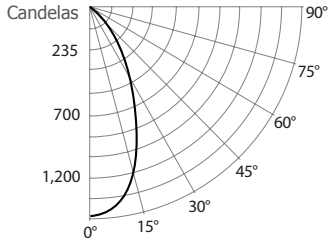
Local 38' x 38' x 10'. Workplan located 2 1/2' (30°).
Reflection factor of 80%/50%/30%.

CANDELAS DISTRIBUTION

DEGREES/VERTICAL	CANDELAS	DEGREES/VERTICAL	CANDELAS
0	979	45	98
5	958	55	49
10	897	65	28
15	796	75	15
20	659	85	7
25	504	90	0
35	235		

3,000K, 80 + of CRI, Flood with performance 2 housing

CANDLEPOWER DISTRIBUTION



LIGHT CONE

Distance	FC	DIA
06'	38.1	5.7'
08'	21.4	7.6'
10'	13.7	9.5'
12'	9.5	11.4'
14'	7.0	13.4'
16'	5.4	15.3'

Beam: 51°
Beam Edge defined as 50% of Maximum Nadir Candle-power.

LUMINAIRE

Performance 2 LED	3,000K Flood	
CBCP / Lumens	1,370	/ 1,204
Watts	120V	277V
	22.6W	23.1W
Operating AMPS	0.19A	0.083A
Lumen Maintenance	L70 @ 50,000 Hrs	
CRI	80 +	
Lumens/Watt	53	
Spacing Criteria	0.8	
Certificate LM79-08	Base on test 475837	

COEFFICIENT OF UTILIZATION - %

Ceiling Reflect %	80			50			30		
Wall Reflect %	50	30	50	30	50	30	50	30	50
RCR	0	119	119	111	111	106	106	106	106
	2	100	95	95	91	92	89	89	89
	4	85	79	82	77	80	76	76	76
	6	74	68	72	66	70	65	65	65
	8	65	59	64	58	62	57	57	57
	10	58	52	57	51	56	51	51	51

Zonal Cavity Method

Effective Floor Cavity Reflectance 20%

ZONAL LUMEN SUMMARY

ZONE	LUMENS	%LUMINAIRE
0-30	754	62.6%
0-40	963	79.9%
0-60	1,134	94.2%
60-90	70	5.8%
0-90	1,204	100%

MULTIPLE UNIT DATA - (RCR 2)

SPACING ON CENTER	INITIAL FOOTCANDLES	WATTS/SQ. FT.
5'	56	0.69
6'	32	0.39
7'	22	0.27
8'	22	0.27
9'	14	0.17

Local 38' x 38' x 10'. Workplan located 2 1/2' (30°).
Reflection factor of 80%/50%/30%.

CANDELAS DISTRIBUTION

DEGREES/VERTICAL	CANDELAS	DEGREES/VERTICAL	CANDELAS
0	1,370	45	137
5	1,341	55	68
10	1,256	65	39
15	1,114	75	21
20	923	85	10
25	706	90	0
35	328		

Concerto LED - LD2C

4" Series

LD2C MODEL PHOTOMETRIC DATA

With performance 1 housing

	Flood	
2,700K with 80 CRI	806 Lms	51 lm/W
3,000K with 90 CRI	688.4 Lms	43.2 lm/W
3,500K with 80 CRI	894.3 Lms	56.7 lm/W
4,000K with 80 CRI	948.8 Lms	59.3 lm/W

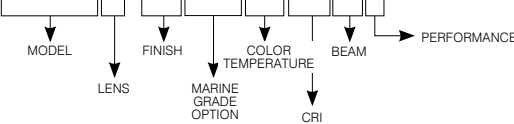
With performance 2 housing

	Flood	
2,700K with 80 CRI	1,128 Lms	52.5 lm/W
3,000K with 90 CRI	944 Lms	43.9 lm/W
3,500K with 80 CRI	1,232 Lms	57.3 lm/W
4,000K with 80 CRI	1,317 Lms	61.3 lm/W

* All .ies and Lighting facts files are available on our Website.

CODIFICATION EXAMPLE

LD2CF-05MG3090W2



ORDERING CODES

MODEL	LENSES	FINISHES	MARINE GRADE	COLOR TEMPERATURES	CRI	BEAM	PERFORMANCE
LD2C						W	2
LD2C	F Frosted	-01 White	MG (optional)	27 2,700K	80 80+ CRI	W Flood (51°)	Use with Performance 1 or Performance 2 Housings
	FC Frosted with clear center	-02 Black	May be applied on finishes: -01, -02, -05, -06, -11 and -15.	30 3,000K	90 90+ CRI		
		-03 24K Gold Plated		35 3,500K			
	C Clear	-04 Chrome		40 4,000K	(only with 3,000K)		
		-04BR Brushed Chrome					
		-05 Architectural Bronze					
		-06 Antique Copper					
		-11 Matte White					
		-12BR Brushed Nickel					
		-13 Satin Nickel					
		-15 Metallic Grey					

MARINE GRADE

2-year warranty on finish

This option increases the painted finishes resistance by reducing and delaying apparition and propagation of oxidation (ex: rust and others).

MARINE GRADE treatment is recommended for damp to wet locations.

Unless otherwise indicated, trims are for interior use. Also suitable for cold and exterior locations, as in soffits, where fixtures are not subject to direct rain or snow exposure.

WARNING – This option is not suitable for salt environments and/or highly corrosive areas such as soffits in coastal regions and natatoriums. Such usage would void warranty on the product.



CONTRASTE

2018-09
Revision 2

PRINTED IN CANADA

1009, rue du Parc Industriel
Lévis (Québec) G6Z 1C5 Canada
Tel.: 1-888-839-4624
Fax.: 1-877-839-7057
contrastelighting.com
info@contrastelighting.com

© 2018 Contraste Lighting M.L. Inc.
All rights reserved

Contrast Lighting M.L. Inc. reserves the right to make changes in specifications and/or to discontinue any product at any time without notice or obligation and will not be liable for any consequences resulting from the use of this publication.