

IT3000CT-LED

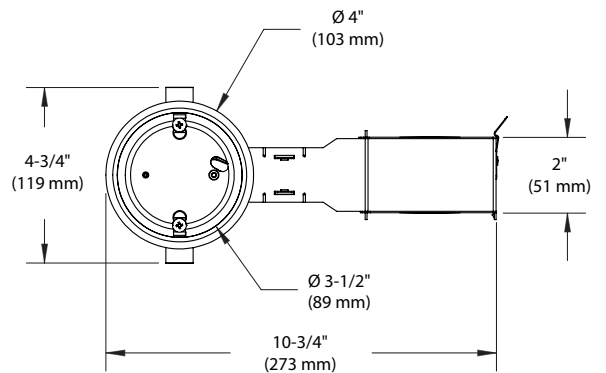
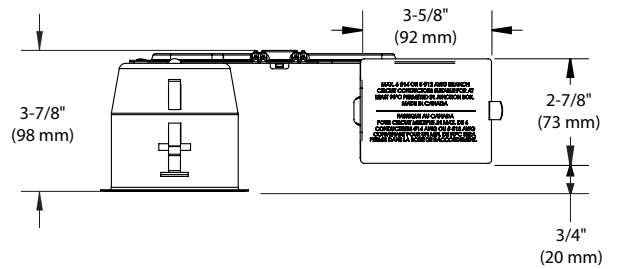
3-1/2" 3000 Series - Evolution LED

IC Air Tight Short Remodel Housing for GU10 LED Lamp

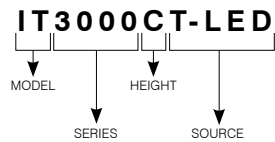
| | |
|--------------|--|
| Project | |
| Notes | |
| Fixture Type | |
| Date | |

SPECIFICATIONS

| | | | | |
|--------------------|---|----------------|------------------|----------------|
| HOUSING DETAILS | 18 gauge 0.051" (1.3 mm) thickness galvanized steel. | | | |
| | Approved for use in insulated ceilings in direct contact with the insulation material (except polyurethane). Air Tight. Flexible channel wire bracket made of 20 gauge steel, bending up to 45° vertically for ease of installation in confined spaces. Junction box can support up to 10 – 14 gauge wires or 8 – 12 gauge wires. Below-ceiling accessible. | | | |
| MOUNTING | Cutout diameter: Ø 3-5/8" (92 mm) | | | |
| | Can fit in ceilings from 1/2" (13 mm) up to 1-1/8" (29 mm) thick. Requires a 4-3/4" (121 mm) clearance beyond the ceiling level. Hook for ease of installation and a perfect fit to ceiling. No light leakage. | | | |
| LAMP | GU10 LED 9.8W MAX This product was designed for GU10 LED lamp. If you want to use a dimmer, please refer regularly to the lamp manufacturer dimmer compatibility list. | | | |
| VOLTAGE | 120 Volts | | | |
| COMPATIBLE TRIMS | T3100 T3125 T3152 | T3200 T3250 | T3250DG T3260 | T3300 T3652 |
| THERMAL PROTECTION | TC 194°F (90°C) | | | |
| CERTIFICATION | <ul style="list-style-type: none"> cULus E343977 for damp locations Certified Air Tight ASTM E283 | | | |
| WARRANTY | 1 year warranty against manufacturing defects. | | | |



CODIFICATION EXAMPLE



ORDERING CODE

| MODEL | SERIES | HEIGHT | SOURCE |
|------------|--------------------|----------|---------------------|
| IT | 3000 | C | T-LED |
| IT Remodel | 3000 3-1/2" Series | C Short | T-LED GU10 LED Lamp |

