

ISUR4

4" URBAI Series

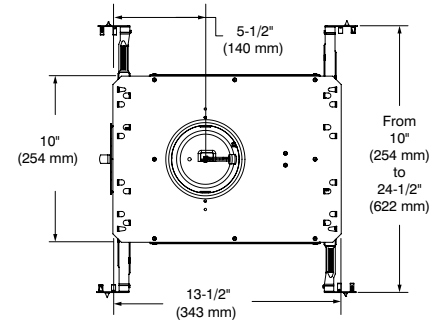
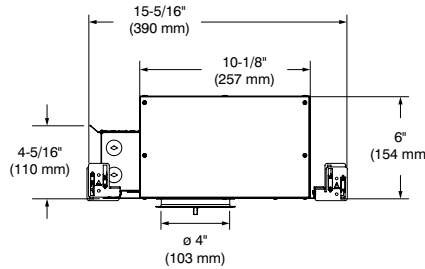
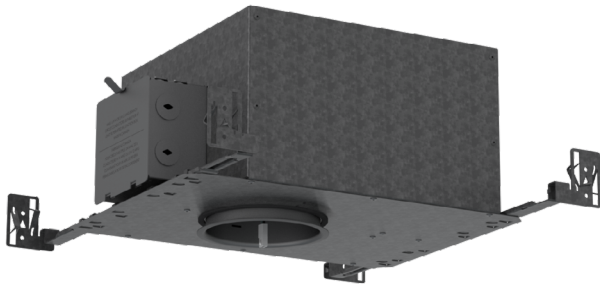
Classic IC and Air Tight New Construction Housing

Project _____

Notes _____

Fixture Type _____

Date _____



SPECIFICATIONS

HOUSING DETAILS

Up to 0,051" (1,3 mm) thick galvanized steel housing with integrated "IC" box.

Approved for installation in insulated ceilings and in direct contact with insulating material (except polyurethane).

Conformity option for direct contact with polyurethane in performance 1 only (P option).

33-1/2 in³ junction box.

Below-ceiling accessible.

MOUNTING

Cutout diameter:
ø 4-1/4" (108 mm)

Can fit ceilings up to 2" (51 mm) thick.

Requires a 6" (152 mm) clearance beyond the ceiling material.

Snap-in hooks for ease of installation and a perfect fit to ceiling.

Mounting bars extend from 10" (254 mm) to 24-1/2" (622 mm) to fit in most ceilings.

No light leakage.

PERFORMANCE

1: 10W IC
 up to 1,018 lm

2: 15W IC
 up to 1,326 lm

Warm Dimming (WD)
 up to 650 lm

VOLTAGE

120 Volts
 277 Volts
 120 / 277 Volts (universal)

DIMMING

ELV: 120V only
 0-10V: Sourcing driver
 (Sinking Control)
 120V or 277V

We invite you to consult frequently our Website to find our suggested compatible dimmers list:
www.contrastlighting.com

COMPATIBLE TRIMS

JAB LISTED JAB8 CERTIFIED (CEC)

UR4A, UR4B, UR4C, UR4D, UR4E,
 UR4H, UR4J, UR4L

UR4G, UR4K

CERTIFICATION

- cULus **E343977** for damp locations; wet with shower trim only.
- Chicago City code compliance option available (Chicago Plenum (P option)).
- Air Tight tested in accordance with ASTM E283
- CALIFORNIA TITLE 24 (JA8-2016)

WARRANTY

1 year on components against manufacturing defects.
 5 years on LED arrays and drivers.

SPECIFICATION SHEET

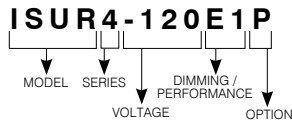
ISUR4

4" URBAÏ Series

Classic IC and Air Tight New Construction Housing



CODIFICATION EXAMPLE FOR 120V



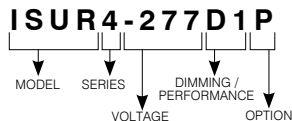
ORDERING CODES for 120V

MODEL	SERIES	VOLTAGE	DIMMING / PERFORMANCE	OPTION
ISUR	4	-120		
ISUR Classic IC and Air Tight New Construction	4 4" Series	-120 120V	E1 ELV / 10W E2 ELV / 15W EB2 ELV (+Value) / 15W D1 0-10V / 10W D2 0-10V / 15W	P* Chicago Plenum and Polyurethane

Contraste suggests ordering
EB2 (ELV (+Value)/15W)
or
D2 (0-10V/15W)
dimming type and performance to use with Warm Dimming

- * Chicago Plenum / Polyurethane with performance 1 (E1P and D1P)
Chicago Plenum only with Performance 2 (E2P, EB2P and D2P)

CODIFICATION EXAMPLE FOR 277V



ORDERING CODES for 277V

MODEL	SERIES	VOLTAGE	DIMMING / PERFORMANCE	OPTION
ISUR	4	-277		
ISUR Classic IC and Air Tight New Construction	4 4" Series	-277 277V	D1 0-10V / 10W D2 0-10V / 15W 2 Non-Dimmable / 15W	P* Chicago Plenum and Polyurethane

Contraste suggests ordering
D2 (0-10V/15W)
dimming type and performance to use with Warm Dimming

- * Chicago Plenum / Polyurethane with performance 1 (D1P)
Chicago Plenum only with Performance 2 (D2P and 2P)

CONTRASTE

2018-04
Revision 1

PRINTED IN CANADA

1009, rue du Parc Industriel
Lévis (Québec) G6Z 1C5 Canada
Tel.: 1-888-839-4624
Fax.: 1-877-839-7057
contrastlighting.com
info@contrastlighting.com

© 2018 Contrast Lighting M.L. Inc.
All rights reserved

Contrast Lighting M.L. Inc. reserves the right to make changes in specifications and/or to discontinue any product at any time without notice or obligation and will not be liable for any consequences resulting from the use of this publication.

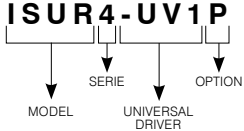
ISUR4

4" URBAI Series

Classic IC and Air Tight New Construction Housing



UNIVERSAL HOUSING CODIFICATION EXAMPLE



ORDERING CODES for Universal Housing

MODEL	SERIE	UNIVERSAL DRIVER	OPTION
ISUR	4		
ISUR Classic IC and Air Tight New Construction	4 4" Series	-UV1 Performance 1 ELV (120V) 10W 0-10V (120V) 10W 0-10V (277V) 10W -UV2 Performance 2 ELV (120V) 15W 0-10V (120V) 15W 0-10V (277V) 15W	P* Chicago Plenum and Polyurethane

Contraste suggests ordering **UV2 (ELV/0-10V/15W)** dimming type and performance to use with Warm Dimming

* **Chicago Plenum / Polyurethane with performance 1 (UV1P)**
Chicago Plenum only with Performance 2 (UV2P)

GOOF RINGS

Goof rings will help you fix larger than necessary or damaged ceiling cutouts.

For round trims.

- Code: RR4-01** (White)
RR4-03SA (Satin Gold)
RR4-04BR (Brushed Chrome)
RR4-11 (Matte White)
RR4-12BR (Brushed Nickel)
RR4-13 (Satin Nickel)
RR4-22 (Matte Black)
RR4-25 (Polar Grey)

Outside diameter: ø 6-1/8" (156 mm)
 Inside diameter: ø 4-1/8" (105 mm)

For square trims.

- Code: RS4-01** (White)
RS4-03SA (Satin Gold)
RS4-04BR (Brushed Chrome)
RS4-11 (Matte White)
RS4-12BR (Brushed Nickel)
RS4-13 (Satin Nickel)
RS4-22 (Matte Black)
RS4-25 (Polar Grey)

Outside dimensions: 5-1/2" (140 mm) x 5-1/2" (140 mm)
 Inside diameter: ø 4-1/8" (105 mm)