






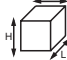


# SPECIFICATION SHEET

3 1/2" 3000 SERIES

# ISMR3000M20

INSULATED CEILING HOUSING WITH MAGNETIC TRANSFORMER

	YES
Damp Location	
	MR16 20W MAX
MR16	
	Magnetic transformer EC20M 20 VA 120V / 12V EC20M2 20 VA 277V / 12V EC20M3 20 VA 347V / 12V
	ISMR3000M20 : 120 VOLTS (CAN & USA) ISMR3000M202 : 277 VOLTS (USA ONLY) ISMR3000M203 : 347 VOLTS (CAN ONLY)
Voltage	
	T°C 95°C No 029
Thermal Protector	
	3 3/4" (95mm)
OD Cut	
	E174023
UL LISTED	
	Overall Dimensions : Length : 15 1/4" (387mm) Width : 8 1/4" (210mm) Height : 7 7/8" (200mm)
Dimensions	

## COMPATIBLE TRIMS MR16 20W

R3151	S3145D	T3000	T3250	T3500D
R3151W	S3151	T3100	T3260	T3500W
R3152	S3400	T3125	T3300	T3600
R3601	S3400D	T3145	T3400	T3602
R3601W	S3450	T3145D	T3400D	T3650
R3602	S3450D	T3145W	T3400W	T3652
R3651	S3500	T3152	T3450	T3700
R3651W	S3500D	T3165	T3450D	T3800
R3652	S3601	T3185	T3450W	T3850
S3145	S3651	T3200	T3500	T3900

## OPTIONS

### CHICAGO PLENUM

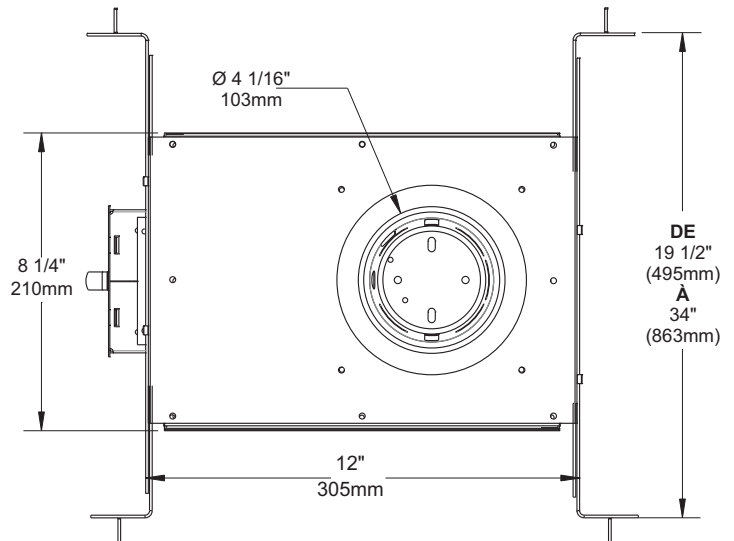
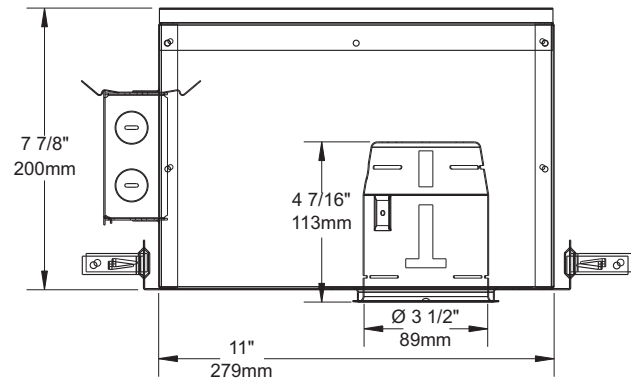
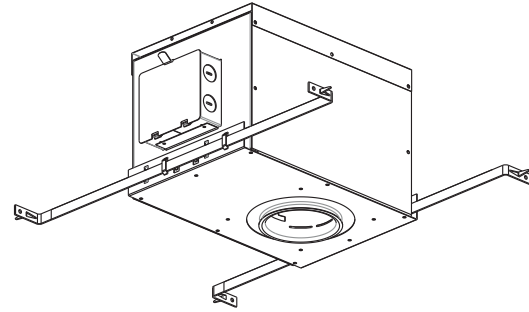
Requirement for all lighting fixtures installed in the city of Chicago. Complies for ceiling air Plenum. Code : ISMR3000M20P

### TITLE 24

Complies with California State Title 24 Energy Code. Code : ISMR3000M20W

## TECHNICAL SPECIFICATIONS

0,021" (0,53mm) thickness Galvanized Steel.  
Below-ceiling accessible.  
Hooks PAT#CAN 2,088,648 and #USA 5,377,088.  
Takes up to 7/8" thick ceiling.  
Perfect fit into ceiling.  
No light leak.



Your representative : \_\_\_\_\_

Your project : \_\_\_\_\_