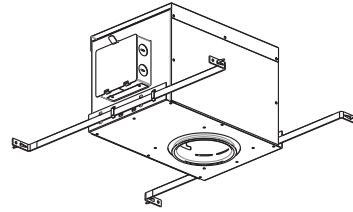









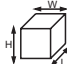
SPECIFICATION SHEET

4" 2000 SERIES

ISMR2000E35

INSULATED CEILING HOUSING WITH ELECTRONIC CONVERTER



	YES
Damp Location	
	MR16 35W MAX
MR16	
	ELECTRONIC CONVERTER
	ISMR2000E35 : 120 VOLTS (CAN & USA)
Voltage	
	T°C 120°C No 031
Thermal Protector	
	4 1/4" (108mm)
OD Cut	
	E174023
LISTED	
	Overall Dimensions : Length : 15 1/4" (387mm) Width : 8 1/4" (210mm) Height : 7 7/8" (200mm)
Dimensions	

COMPATIBLE TRIMS

MR16 35W

R2000	R2450VT
R2000VSM	T2000
R2000VST	T2000V
R2010VSM	T2010V
R2010VST	T2000VL
R2030VSM	T2010VL
R2030VST	

OPTIONS

CHICAGO PLENUM

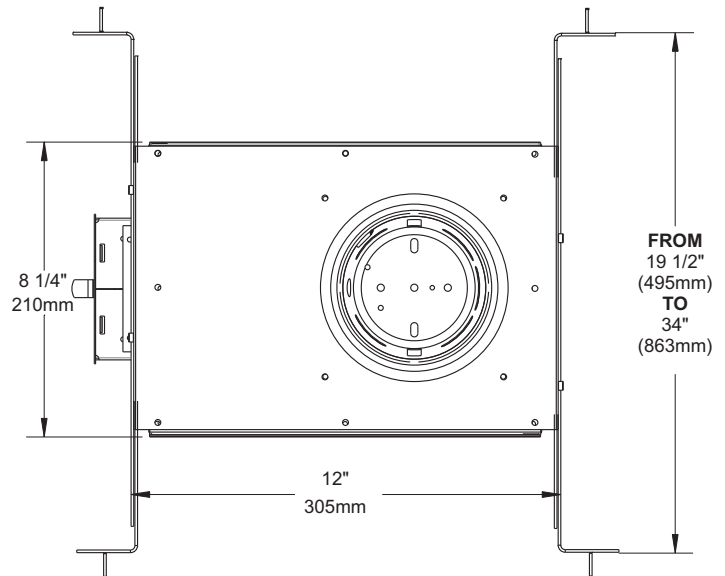
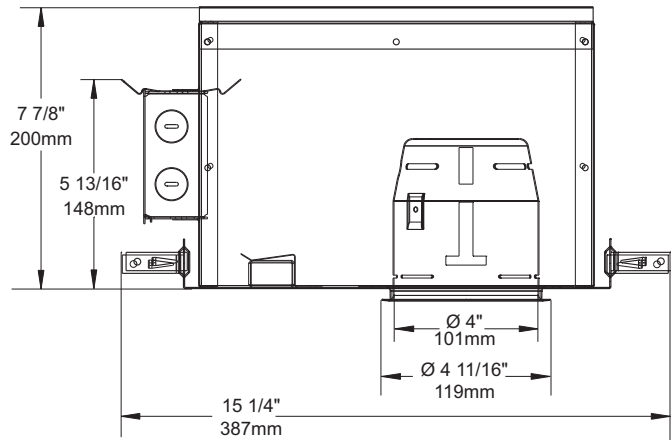
Requirement for all lighting fixtures installed in the city of Chicago. Complies for ceiling air Plenum. Code : ISMR2000E35P

TITLE 24

Complies with California State Title 24 Energy Code. Code : ISMR2000E35W

TECHNICAL SPECIFICATIONS

0,021" (0,53mm) thickness Galvanized Steel.
Below-ceiling accessible.
Hooks PAT#CAN 2,088,648 and #USA 5,377,088.
Takes up to 7/8" thick ceiling.
Perfect fit into ceiling.
No light leak.



Your representative : _____

Your project : _____