

ISLD200

4" Series - Concerto LED

Classic New Construction IC Housing

Project	
Notes	
Fixture Type	
Date	

SPECIFICATIONS

HOUSING DETAILS Galvanized steel and aluminum housing to optimize heat dissipation, of a thickness up to 18 gauge (0,051" / 1,3 mm).
Junction box can support up to 10 - 14 gauge wires or 8 - 12 gauge wires (90° wires).
Below-ceiling accessible.
Can be installed in insulated ceilings, except polyurethane.

MOUNTING **Cutout diameter: Ø 4-1/4" (108 mm)**
Perfect fit to ceiling, no light leakage.
Can fit in ceilings up to 1-1/2" (38 mm) thick.
Mounting bars extend from 10" (254 mm) to 24-1/2" (622 mm) to fit in most ceiling structures.

PERFORMANCE **Performance 1:** Up to 1,500 lumens (16W) determined by the choice of the trims
Performance 2: Up to 2,000 lumens (23W) determined by the choice of the trims

POWER **ELV:** 120V only
0-10V et PMW: Dual Voltage 120V / 277V

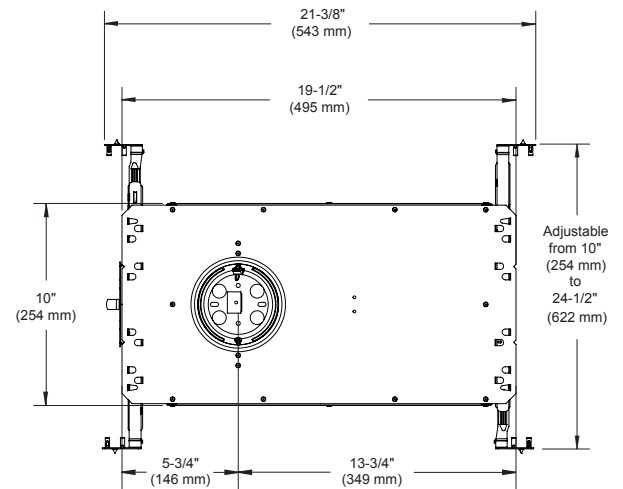
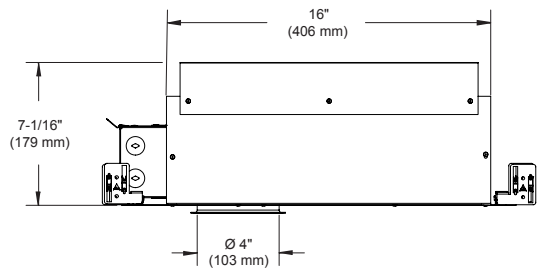
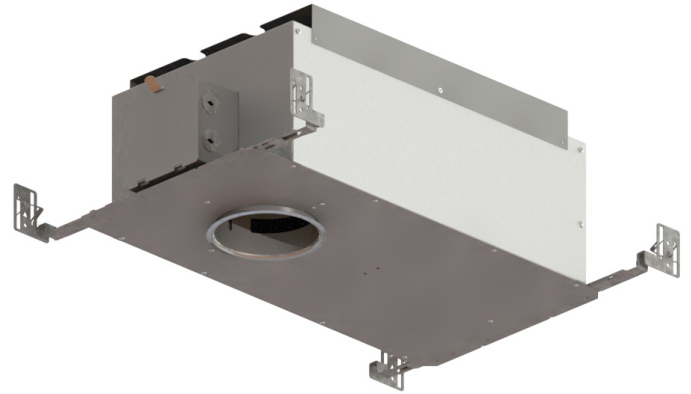
DIMMING 3 types of dimming offered:
• Electronic Low Voltage (ELV)
• 0-10V
• Lutron Hi-Lume A-Series LED Driver with Eco System Control / 3-wire (CCR)

Due to constant evolution of dimmers we must test them regularly.
We invite you to consult frequently our Web site to find our dimmer compatibility list: www.contrastlighting.com

COMPATIBLE TRIMS	Performance 1	Performance 2
	Concerto 16W LD2A LD2B LD2C LD2D LD2E LD2F LD2J LD2K	Concerto 23W LD2C LD2F LD2J LD2K

CERTIFICATION • cULus **E343977** for damp and wet locations
• Chicago Plenum (optional)

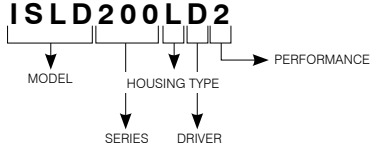
WARRANTY 5 years on LED driver.



ISLD200

4" Series - Concerto LED

CODIFICATION EXAMPLE



ORDERING CODES

MODEL	SERIES	HOUSING TYPE	DRIVER	PERFORMANCE	COMPLIANCE OPTION
ISLD	200	L			
ISLD Classic New Construction IC Housing	200 200 Series	L Long	*E ELV - 120V Only D 0-10V - Dual Voltage (120V / 277V) A Lutron Hi-Lume A-Series Eco System / 3-wire (CCR) Dual Voltage (120V / 277V)	1 16W 2 23W	... Standard X Chicago Plenum

***(E available only in Performance 2)**

Performance 1 and 2 housings are compatible with performance 2 trims.

