

# ISCA3600

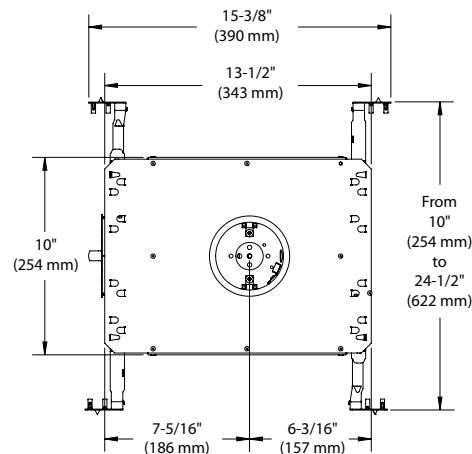
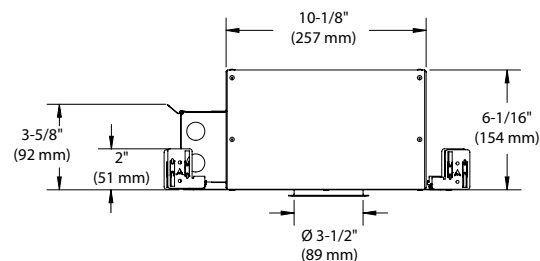
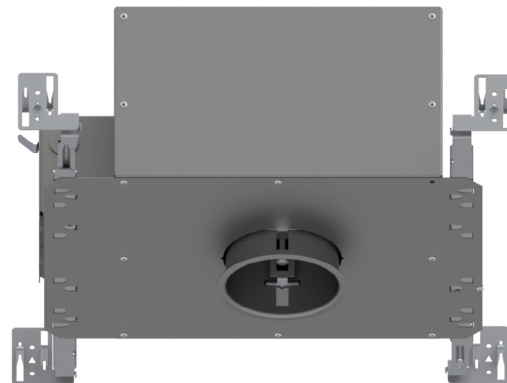
3-1/2" PAR20 Series

## Insulated Housing for PAR20 Lamp

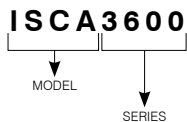
### SPECIFICATIONS

HOUSING DETAILS	18 gauge 0.051" (1.3 mm) thickness galvanized steel. Junction box can support up to 10 - 14 gauge wires or 8 - 12 gauge wires. Patented hook (PAT#CAN 2,088,648 and #USA 5,377,088). Below-ceiling accessible. Can be installed in insulated ceilings, except polyurethane.
SOCKET	Porcelain; medium base socket (E26). Pre-wired with 18 gauge wire Teflon 250° connected to the junction box.
MOUNTING	<b>Cutout diameter: Ø 3-5/8" (92 mm)</b> Can fit in ceilings of 1/4" (6 mm) up to 7/8" (22 mm) thick. Mounting bars extend from 10" (254 mm) to 24-1/2" (622 mm) to fit in most ceiling structures (compatible with suspended ceilings). No light leakage.
LIGHT SOURCE	<b>PAR20 Halogen Lamp 50W MAX</b>  Although LED PAR20 works properly in this product, it may be longer than the halogen lamp it replaces. As a result, the lamp may protrude from the lighting fixture.
COMPATIBLE TRIMS	A3600 A3700 B3600
VOLTAGE	120V Volts (CAN & USA)
THERMAL PROTECTION	T°C 230°F (110°C)
OPTIONS	<b>California Title 24</b> For product that meets California Title 24 requirements, add "W" to code: ISCA2000W  <b>Chicago Plenum</b> For product that meets Chicago Plenum requirements, add "P" to code: ISCA2000P
CERTIFICATION	<ul style="list-style-type: none"> <li>cULus <b>E174023</b> for damp locations.</li> <li>Chicago Plenum (optional)</li> <li>ASTM E283</li> </ul>
WARRANTY	5 years on socket.

Project	
Notes	
Fixture Type	
Date	



### CODIFICATION EXAMPLE



### ORDERING CODE

MODEL	SERIES	CONFORMITY (OPTIONS)
<b>ISCA</b>	<b>3600</b>	
ISCA Insulated Housing for PAR20 Lamp	3600 3-1/2" Series	P Chicago Plenum W California Title 24

