







3 1/2" 3000 SERIES

ISCA2550

INSULATED HOUSING

	YES
Damp location	
	PAR20 50W Max.
PAR	
	120 V
Voltage	
	110°C No 029
Thermal Protector	
	3 5/8" (92 mm)
Ceiling cutout	
	E174023
UL US LISTED	
	Overall dimensions Length: 15 5/16" (389 mm) Width: 10" (254 mm) Height: 6 1/16" (154 mm)
Dimensions	

COMPATIBLE TRIMS

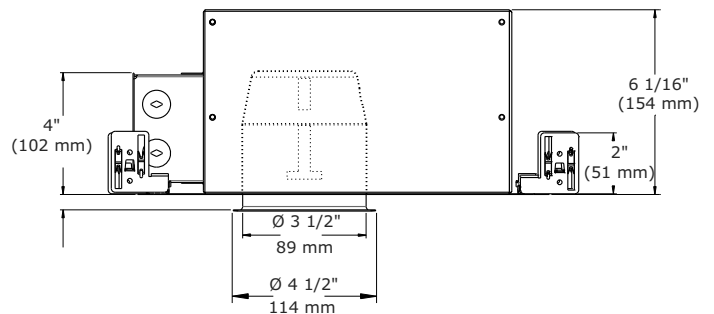
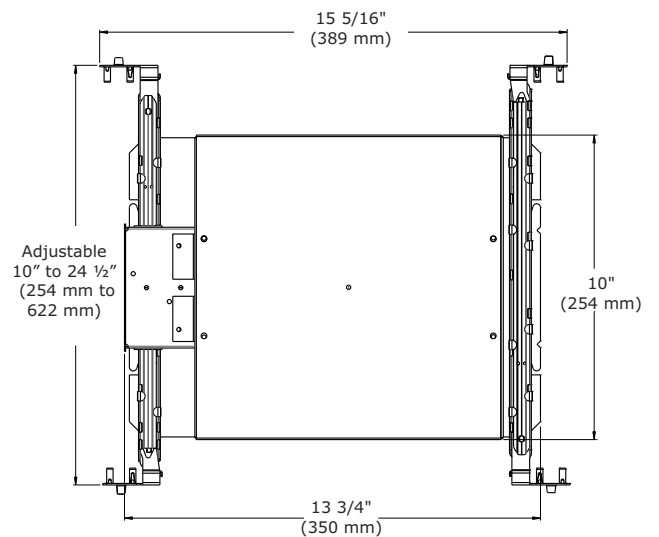
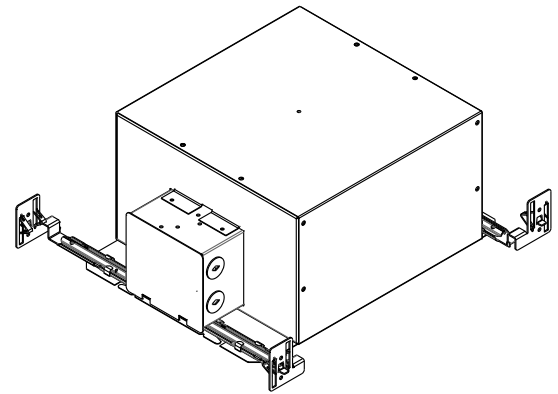
C2550 (all standard finishes are available)
 BAFRE2550 (-01 White / -02 Black)
 REFRE2550 (-BK Black / -CH Champagne / -CL Clear)
 *The C2550 collar requires either a BAFRE2550 baffle or REFRE2550 reflector.

OPTIONS

TITLE 24: For product that meets California Title 24 energy code requirements, add "W" to code: ISCA2550**W**
 CHICAGO PLENUM: For product that meets Chicago Plenum requirements, add "P" to code: ISCA2550**P**

TECHNICAL SPECIFICATIONS

0.051" (1.3 mm) thickness galvanized steel.
 Below-ceiling accessible.
 Hooks PAT#CAN 2,088,648 and #USA 5,377,088.
 Installs to ceilings up to 7/8" (22 mm) thick.
 Perfect fit into ceiling.
 No light leakage.



Project _____

Representative _____