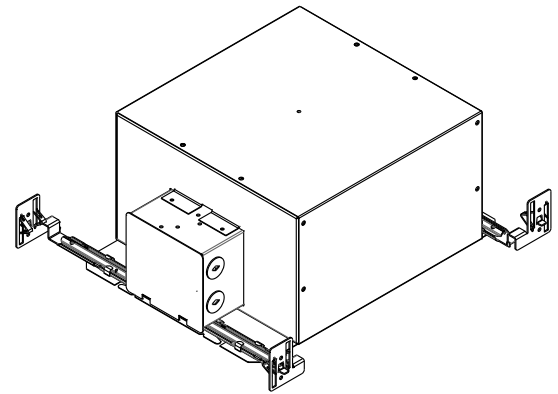
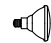




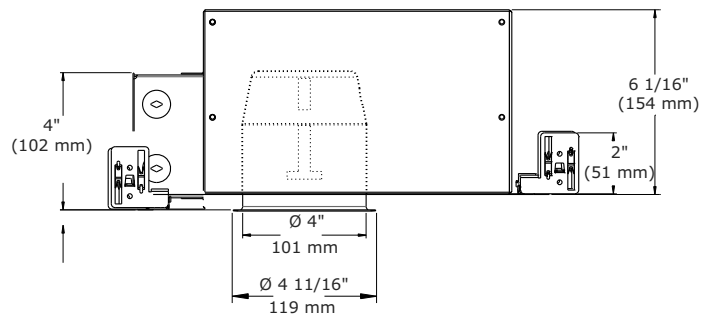
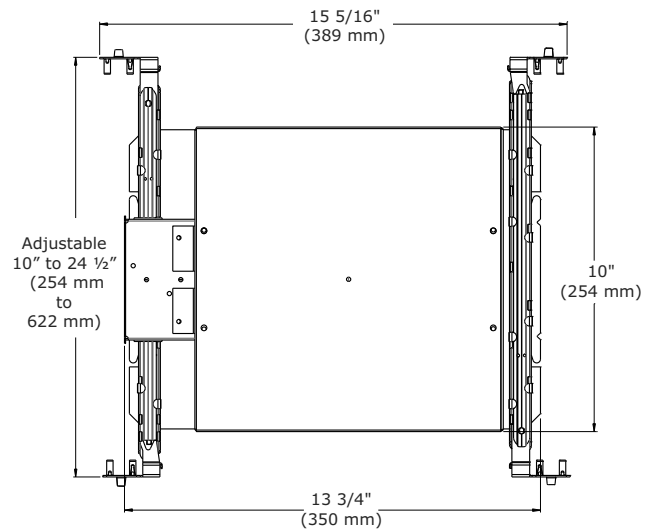
**4" 2000 SERIES**

# ISCA2000

## INSULATED HOUSING



	YES
<b>Damp location</b>	
	PAR20 50W Max.
<b>PAR</b>	
	120 V
<b>Voltage</b>	
	100°C No 027
<b>Thermal Protector</b>	
	4 1/4" (108 mm)
<b>Ceiling cutout</b>	
	E174023
<b>UL LISTED</b>	
	<b>Overall dimensions</b> Length: 15 5/16" (389 mm) Width: 10" (254 mm) Height: 6 1/16" (154 mm)
<b>Dimensions</b>	



### COMPATIBLE TRIMS

50W PAR20		35W PAR20	
A2000	A2020	A2400S	A2010VS
A2000V	A2100	A2401S	A2000VLS
A2010V	A2120	A2450S	A2010VLS
A2000VL	A2100VT	A2451S	
A2010VL	A2450VT	A2000VS	

### OPTIONS

**TITLE 24:** For product that meets California Title 24 energy code requirements, add "W" to code: ISCA2000**W**

**CHICAGO PLENUM:** For product that meets Chicago Plenum requirements, add "P" to code: ISCA2000**P**

### TECHNICAL SPECIFICATIONS

0.051" (1.3 mm) thickness galvanized steel.  
 Below-ceiling accessible.  
 Hooks PAT#CAN 2,088,648 and #USA 5,377,088.  
 Installs to ceilings up to 7/8" (22 mm) thick.  
 Perfect fit into ceiling.  
 No light leakage.



Project \_\_\_\_\_

Representative \_\_\_\_\_