

ISCA2000D

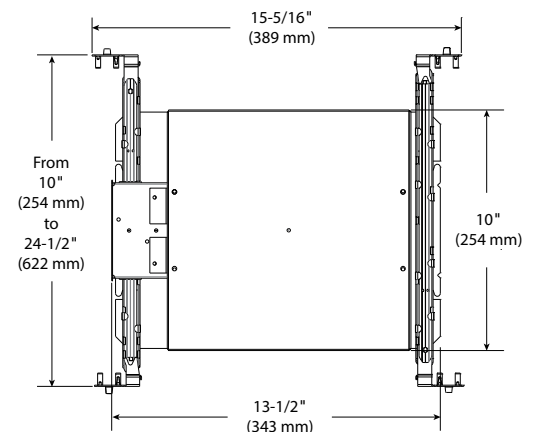
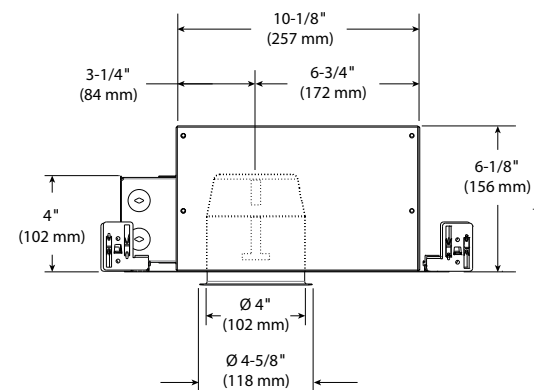
4" 2000 Series

Insulated Housing for PAR20 Lamp Adjustable

SPECIFICATIONS

HOUSING DETAILS	<p>18 gauge 0.051" (1.3 mm) thickness galvanized steel. Approved for installation in insulated ceiling with direct contact to insulating material (except polyurethane). Junction box can support up to 10 – 14 gauge wires or 8 – 12 gauge wires. Below-ceiling accessible.</p>
SOCKET	<p>Porcelain; medium base socket (E26). Pre-wired with 18 gauge wire SEW 200°C connected to the junction box.</p>
MOUNTING	<p>Cutout diameter: Ø 4-1/4" (92 mm) Can fit in ceilings up to 7/8" (22 mm) thick. Requires a 6-1/8" (156 mm) clearance beyond the ceiling material. Contraste hooks for ease of installation and a perfect fit to ceiling. Mounting bars extend from 10" (254 mm) to 24-1/2" (622 mm) to fit in most ceiling structures. No light leakage.</p>
LAMP	<p>PAR20 50W MAX This product was designed for a PAR20 halogen lamp. If you want to use dimming and you replace PAR20 lamp by an equivalent LED PAR20 lamp, please refer regularly to the lamp manufacturer dimmer compatibility list.</p>
VOLTAGE	120 Volts
COMPATIBLE TRIMS	<p>PAR20 50W D2000 D2100</p>
THERMAL PROTECTION	TC 212°F (100°C)
CERTIFICATION	cULus E174023 for damp and wet locations
WARRANTY	5 years on socket

Project	
Notes	
Fixture Type	
Date	



CONTRASTE

1009, rue du Parc Industriel
Lévis (Québec) G6Z 1C5 Canada
Tel.: 1-888-839-4624
Fax.: 1-877-839-7057
contrastlighting.com
info@contrastlighting.com

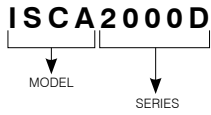
© 2018 Contrast Lighting M.L. Inc.
All rights reserved

Contrast Lighting M.L. Inc reserves the right to make changes in specifications and/or to discontinue any product at any time without notice or obligation and will not be liable for any consequences resulting from the use of this publication.

ISCA2000D

4" 2000 Series

CODIFICATION EXAMPLE



ORDERING CODE

MODEL	SERIES
ISCA	2000D
ISCA Insulated Ceiling Housing	2000D 4" Series



CONTRASTE

1009, rue du Parc Industriel
 Lévis (Québec) G6Z 1C5 Canada
 Tél.: 1-888-839-4624
 Fax.: 1-877-839-7057
 contrastlighting.com
 info@contrastlighting.com

© 2018 Contrast Lighting M.L. Inc.
 All rights reserved

Contrast Lighting M.L. Inc reserves the right to make changes in specifications and/or to discontinue any product at any time without notice or obligation and will not be liable for any consequences resulting from the use of this publication.