

ICAT6R4 - ICAT6S4

4" Series - Ardito

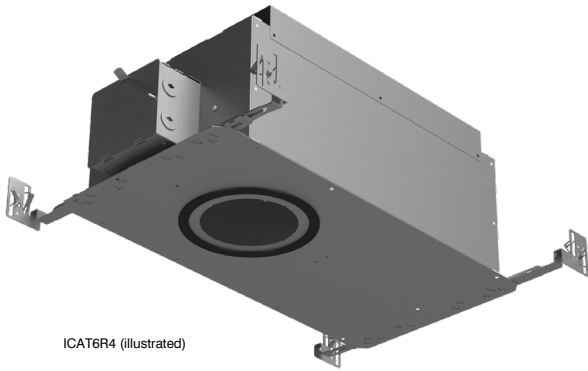
IC Air Tight Housing

Project _____

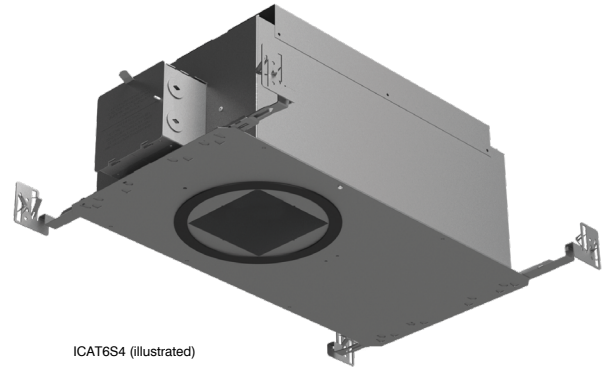
Notes _____

Fixture type _____

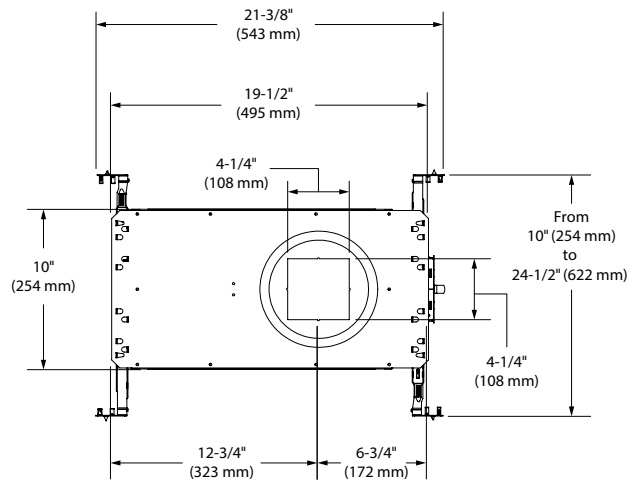
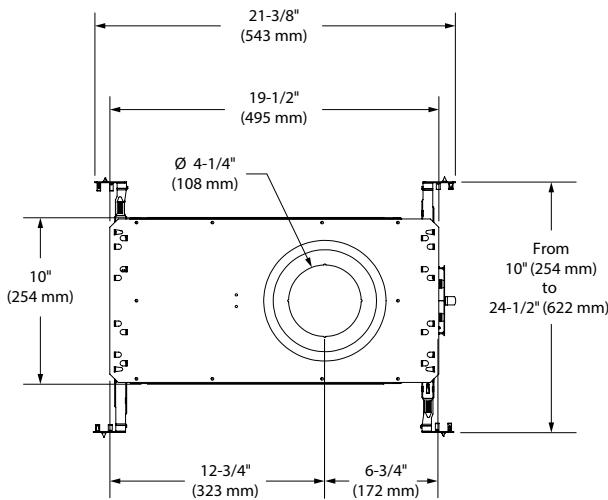
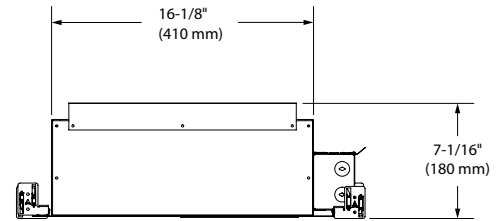
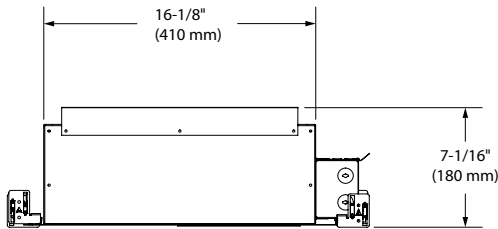
Date _____



ICAT6R4 (illustrated)



ICAT6S4 (illustrated)



CONTRASTE

1009, rue du Parc Industriel
Lévis (Québec) G6Z 1C5 Canada
Tel.: 1-888-839-4624
Fax.: 1-877-839-7057
contrastlighting.com
info@contrastlighting.com

© 2017 Contrast Lighting M.L. Inc.
All rights reserved

Contrast Lighting M.L. Inc. reserves the right to make changes in specifications and/or to discontinue any product at any time without notice or obligation and will not be liable for any consequences resulting from the use of this publication.

SPECIFICATION SHEET

ICAT6R4 - ICAT6S4

4" Series - Ardito

IC Air Tight Housing



SPECIFICATIONS

HOUSING DETAILS	Galvanized steel and aluminum housing to optimize heat dissipation, of a thickness up to 18 gauge (0,051" / 1,3 mm). 33-1/2 in ³ junction box can support up to 10 - 14 gauge wires or 8 - 12 gauge wires (90° wires). Below-ceiling accessible. Can be installed in insulated ceilings, except polyurethane.																																																
MOUNTING AND SUPPORT	Round Cutout: ø 4-1/4" (108 mm) Square Cutout: 4-1/4" (108 mm) x 4-1/4" (108 mm) Mud-in-Plate: Required with the use of flangeless trim (MIPA4R, MIP4S) Optional: Reusable steel cutout template for square trim (TEMP-SQ) Perfect fit to ceiling. Can fit in ceiling up to 1-1/2" (38 mm) thick Minimal thickness determined by the choice of the trim (Consult trim specification sheet for minimum thickness requirement). Mounting bars extend from 10" (254 mm) to 24-1/2" (622 mm) to fit in most ceiling structures.																																																
PERFORMANCE	Performance 1: 1,300 lumens (14W) Performance 2: 1,900 lumens (23W) Consult trim specification sheets for complete details																																																
POWER SUPPLY	120V - 277V																																																
DIMMING	2 types of dimming offered all within the same unit: <ul style="list-style-type: none"> • Electronic Low Voltage (ELV) (120V only) • 0-10V (120V/277V) Due to constant evolution of dimmers, we must test them regularly. We invite you to consult frequently our Web site to find our suggested compatible dimmers list: www.contrastlighting.com																																																
COMPATIBLE TRIMS	<table border="1" style="width: 100%; border-collapse: collapse;"> <thead> <tr> <th colspan="4" style="background-color: #f2f2f2;">ICAT0R4 (round aperture)</th> <th colspan="4" style="background-color: #f2f2f2;">ICAT0S4 (square aperture)</th> </tr> <tr> <th colspan="2" style="background-color: #f2f2f2;">Performance 1 (14W)</th> <th colspan="2" style="background-color: #f2f2f2;">Performance 2 (23W)</th> <th colspan="2" style="background-color: #f2f2f2;">Performance 1 (14W)</th> <th colspan="2" style="background-color: #f2f2f2;">Performance 2 (23W)</th> </tr> </thead> <tbody> <tr> <td>A4RAF</td><td>A4RAF-TR</td><td>A4RAF</td><td>A4RAF-TR</td><td>A4SAR</td><td>A4SAR-TR</td><td>A4SAR</td><td>A4SAR-TR</td> </tr> <tr> <td>A4RAR</td><td>A4RAR-TR</td><td>A4RAR</td><td>A4RAR-TR</td><td>A4SFR</td><td>A4SFR-TR</td><td>A4SFR</td><td>A4SFR-TR</td> </tr> <tr> <td>A4RFR</td><td>A4RFR-TR</td><td>A4RFR</td><td>A4RFR-TR</td><td>A4SSF</td><td>A4SSF-TR</td><td>A4SSF</td><td>A4SSF-TR</td> </tr> <tr> <td>A4RSF</td><td>A4RSF-TR</td><td>A4RSF</td><td>A4RSF-TR</td><td></td><td></td><td></td><td></td> </tr> </tbody> </table>	ICAT0R4 (round aperture)				ICAT0S4 (square aperture)				Performance 1 (14W)		Performance 2 (23W)		Performance 1 (14W)		Performance 2 (23W)		A4RAF	A4RAF-TR	A4RAF	A4RAF-TR	A4SAR	A4SAR-TR	A4SAR	A4SAR-TR	A4RAR	A4RAR-TR	A4RAR	A4RAR-TR	A4SFR	A4SFR-TR	A4SFR	A4SFR-TR	A4RFR	A4RFR-TR	A4RFR	A4RFR-TR	A4SSF	A4SSF-TR	A4SSF	A4SSF-TR	A4RSF	A4RSF-TR	A4RSF	A4RSF-TR				
ICAT0R4 (round aperture)				ICAT0S4 (square aperture)																																													
Performance 1 (14W)		Performance 2 (23W)		Performance 1 (14W)		Performance 2 (23W)																																											
A4RAF	A4RAF-TR	A4RAF	A4RAF-TR	A4SAR	A4SAR-TR	A4SAR	A4SAR-TR																																										
A4RAR	A4RAR-TR	A4RAR	A4RAR-TR	A4SFR	A4SFR-TR	A4SFR	A4SFR-TR																																										
A4RFR	A4RFR-TR	A4RFR	A4RFR-TR	A4SSF	A4SSF-TR	A4SSF	A4SSF-TR																																										
A4RSF	A4RSF-TR	A4RSF	A4RSF-TR																																														
COMPATIBLE TRIMS	<table border="1" style="width: 100%; border-collapse: collapse;"> <thead> <tr> <th colspan="4" style="background-color: #f2f2f2;">ICAT0R4 (round aperture)</th> <th colspan="4" style="background-color: #f2f2f2;">ICAT0S4 (square aperture)</th> </tr> <tr> <th colspan="2" style="background-color: #f2f2f2;">Performance 1 (14W)</th> <th colspan="2" style="background-color: #f2f2f2;">Performance 2 (23W)</th> <th colspan="2" style="background-color: #f2f2f2;">Performance 1 (14W)</th> <th colspan="2" style="background-color: #f2f2f2;">Performance 2 (23W)</th> </tr> </thead> <tbody> <tr> <td>A4RWW</td><td>A4RWW-TR</td><td>A4RWW</td><td>A4RWW-TR</td><td>A4SWW</td><td>A4SWW-TR</td><td>A4SWW</td><td>A4SWW-TR</td> </tr> </tbody> </table>	ICAT0R4 (round aperture)				ICAT0S4 (square aperture)				Performance 1 (14W)		Performance 2 (23W)		Performance 1 (14W)		Performance 2 (23W)		A4RWW	A4RWW-TR	A4RWW	A4RWW-TR	A4SWW	A4SWW-TR	A4SWW	A4SWW-TR																								
ICAT0R4 (round aperture)				ICAT0S4 (square aperture)																																													
Performance 1 (14W)		Performance 2 (23W)		Performance 1 (14W)		Performance 2 (23W)																																											
A4RWW	A4RWW-TR	A4RWW	A4RWW-TR	A4SWW	A4SWW-TR	A4SWW	A4SWW-TR																																										
CERTIFICATION	<ul style="list-style-type: none"> • cULus E343977 for damp locations and wet locations with the shower trims • Air Tight tested in accordance with ASTM-E283 • CALIFORNIA TITLE 24 (JA8-2016) 																																																
WARRANTY	5 years on LED driver																																																

CONTRASTE

1009, rue du Parc Industriel
Lévis (Québec) G6Z 1C5 Canada
Tel.: 1-888-839-4624
Fax.: 1-877-839-7057
contrastlighting.com
info@contrastlighting.com

© 2017 Contrast Lighting M.L. Inc.
All rights reserved

Contrast Lighting M.L. Inc. reserves the right to make changes in specifications and/or to discontinue any product at any time without notice or obligation and will not be liable for any consequences resulting from the use of this publication.

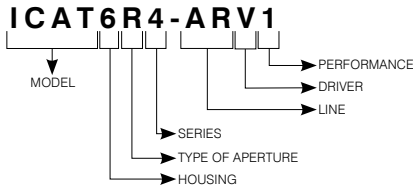
ICAT6R4 - ICAT6S4

4" Series - Ardito

IC Air Tight Housing



CODIFICATION EXAMPLE



ORDERING CODES

MODEL	HOUSING	TYPE OF APERTURE	SERIES	LINE	DRIVER	PERFORMANCE
ICAT	6		4	AR	V	
ICAT Insulated Housing Air Tight	6 16" x 10" (410 mm x 254 mm)	R Round S Square	4 4" Series	AR Ardito	V ELV (120V) 0-10V (120V) 0-10V (277V)	1 14W (1,300 lumens) 2 23W (1,900 lumens)

MUD-IN-PLATE OPTION

Required with the use of flangeless trims.
(see installation instructions sheet for more details)

ROUND

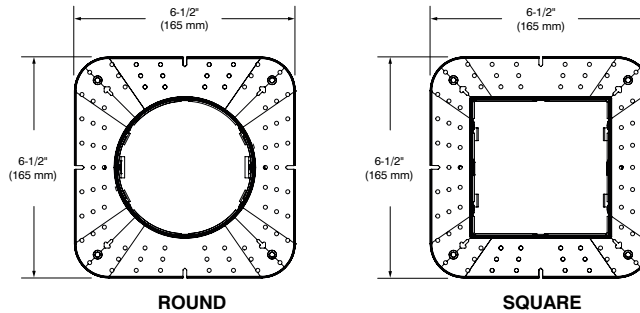
\varnothing 4-1/4" (108 mm)

Code: MIPA4R

SQUARE

4-1/4" (108 mm) x 4-1/4" (108 mm)

Code: MIPA4S



REUSABLE TEMPLATE OPTION

Reusable steel cutout template for square trim

Code: TEMP-SQ

