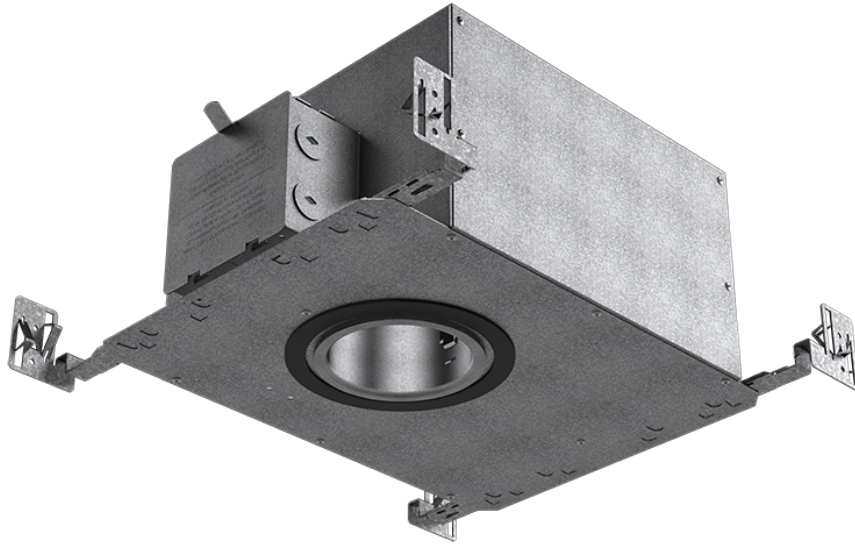


IC35MR16

3-1/2" - Classic/Evolution

IC and Air Tight (10W) Housing for MR16 LED and Halogen Lamp

The picture and technical drawing illustrate an IC Air Tight housing.

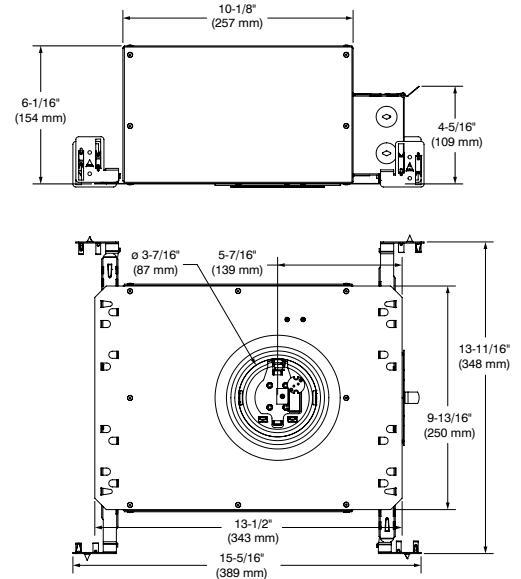


Project _____

Notes _____

Fixture Type _____

Date _____



SPECIFICATIONS

HOUSING DETAILS 18 gauge up to 0.051" (1.3 mm) thick galvanized steel housing.
 33-1/2 in³ junction box can support up to 10 - 14 gauge wires or 8 - 12 gauge wires.
 Below-ceiling accessible.

MOUNTING AND SUPPORT **Cutout diameter: ø 3-5/8" (92 mm)**
 Can fit ceilings up to 2" (54 mm) thick.
 Requires a 6-1/16" (154 mm) clearance beyond the ceiling level.
 Tool-free snap-in hooks for ease of installation and a perfect fit to ceiling.
 Mounting bars extend from 10" (254 mm) to 24-1/2" (622 mm) to fit in most ceilings.
 No light leakage.

LAMPS **MR16 LED GU5.3 10W MAX (IC & AIR TIGHT)** **MR16 GU5.3 37W MAX (IC & NOT AIR TIGHT)**

VOLTAGE 120 Volts 277 Volts

TRANSFORMER **LTF Electronic Transformers**

| | | |
|-----------------------------------|-----------------------------------|--|
| 120V-10W: TA15WA12LED65B15 | 120V-37W: TA60WA12LED65B15 | 120VD-37W: TA60WA12LED65B15D010 |
| 277V-10W: TE15WA12LED65B15 | 277V-37W: TE60WA12LED65B15 | 277VD-37W: TE60WA12LED65B15D010 |

DIMMING Only use ELV and 0-10V type. (To use the dimming option, please refer regularly to the lamp manufacturer compatibility list)

| | | | | | | | | |
|-------------------------|--------|-------|--------|-------|---------|--------|--------|-------|
| COMPATIBLE TRIMS | R3151 | R3470 | S3151 | T3000 | T3145 | T3145W | T3450 | T3850 |
| | R3151W | R3652 | S3450 | T3100 | T3145D | T3200 | T3450D | |
| | R3450D | S3145 | S3450D | T3125 | T3145DG | T3250 | T3450W | |

CERTIFICATION

- cULus for damp locations; wet locations for shower trims (7W) only (for LED lamps)
- cULus for damp locations; wet locations for shower trims (20W) only (for halogen lamps)
- Certified Air Tight ASTM E283 (10W MAX)

WARRANTY 3-year limited warranty on the electronic transformer and 1-year on components

CONTRASTE

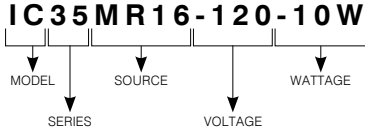
IC35MR16

3-1/2" - Classic/Evolution

IC and Air Tight (10W) Housing for MR16 LED and Halogen Lamp



CODIFICATION EXAMPLE



ORDERING CODES

| MODEL | SERIES | SOURCE | VOLTAGE | WATTAGE |
|--|-------------------------|--|--|---|
| IC | 35 | MR16 | | |
| IC Classic New Construction Housing | 35 3-1/2" Series | MR16 MR16 LED GU5.3 MR16 GU5.3 | -120 120 Volts (ELV) -277 277 Volts (ELV) | -10W 10W (LED) -37W 37W (Halogen)* |
| | | | -120D 120 Volts (0-10V) -277D 277 Volts (0-10V) | -37W 37W (Halogen)* |

*Not for air tight ceiling.

GOOF RINGS

Goof rings correct the openings too large or damaged ceiling cutout.

All goof rings are available in all Contraste finishes.
Add finish color code at the end of the goof rings code.
Ex.: RON3000-06

For round trims
Code: RON3000



Outside diameter: \varnothing 6-1/8" (156 mm)
Inside diameter: \varnothing 3-5/8" (92 mm)

For square trims
Code: RON3100



Outside dimensions: 5" (127 mm) x 5" (127 mm)
Inside diameter: \varnothing 3-5/8" (92 mm)

CONTRASTE