

SPECIFICATION SHEET

HexaLED 2.0**10" Series****High-performance Controlled Beam Round Trim**

Project _____

Notes _____

Fixture Type _____

Date _____



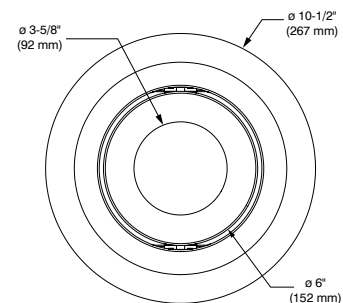
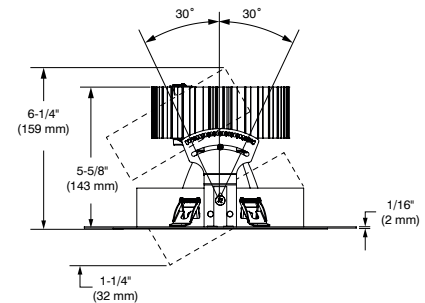
HE10D-11XXXXXX (illustrated)

Contraste combined advanced technology LED components to create a new and powerful unit that will meet every specification project needs. Our new HexaLED will deliver the exact lumen output to meet the desired lighting performance that is suitable for a wide variety of architectural applications including retail stores, restaurants, hotels, office spaces, museums and art galleries, public areas and other interiors.



SPECIFICATIONS

TRIM DETAILS	Requires a 6-3/4" (172 mm) clearance beyond the ceiling level Perfect fit into ceiling No light leak Each part of the housing and the trim should be at LEAST 3" (76 mm) from insulation (non-IC configurations) Can fit in ceilings up to 1-1/2" (38 mm) thick Junction box is accessible from below the ceiling for ease of maintenance
AJUSTABILITY	Tilt: 30° (2.5° incremental adjustment) lockable
HEAT SINK	High-quality extruded aluminum heat sink ensuring maximum heat dissipation for optimal performance.
CEILING CUTOUT	ø 7-1/4" (184 mm) to ø 9-1/4" (235 mm)
CERTIFICATION	cULus E343977 for damp locations
WARRANTY	1 year on components against manufacturing defects 5 years on LED arrays and drivers

**CONTRASTE**2020-05
Revision 4

PRINTED IN CANADA

1009, rue du Parc Industriel
Lévis (Québec) G6Z 1C5 Canada
Tel.: 1-888-839-4624
Fax.: 1-877-839-7057
contrastlighting.com
info@contrastlighting.com

© 2020 Contrast Lighting M.L. Inc.
All rights reserved

Contrast Lighting M.L. Inc. reserves the right to make changes in specifications and/or to discontinue any product at any time without notice or obligation and will not be liable for any consequences resulting from the use of this publication.

HexaLED 2.0

10" Series

High-performance Controlled Beam Round Trim



SPECIFICATIONS (CONT'D)

LIGHT ENGINE

STANDARD (SOLID WHITE)

Lumileds Luxeon CoB 1211 GEN4

L₇₀ @ 50,000 hours of operation

3-Step MacAdam ellipse (3 SDCM)

Color Temperatures: 3,000K - 3,500K - 4,000K

CRI: 80+ and 90+ (R9: >50)

Delivered Lumens: Performance 20W (2,390 lumens)

Performance 28W (3,280 lumens)

Performance 36W (4,190 lumens)

Performance 50W (5,340 lumens)

COMPATIBLE HOUSINGS

	Remodel Housing	New Construction Housing	New Construction Housing with Emergency Lighting
Performance 20W	REHEUE20W REHEUD20W REHEUA20W REHE3D20W	NWHEUE20W NWHEUD20W NWHEUA20W NWHE3D20W	NWHEUD20W-EM
Performance 28W	REHEUE28W REHEUD28W REHEUA28W REHE3D28W	NWHEUE28W NWHEUD28W NWHEUA28W NWHE3D28W	NWHEUD28W-EM
Performance 36W	REHEUE36W REHEUD36W REHEUA36W REHE3D36W	NWHEUE36W NWHEUD36W NWHEUA36W NWHE3D36W	NWHEUD36W-EM
Performance 50W	REHEUE50W REHEUD50W REHE3D50W	NWHEUE50W NWHEUD50W NWHE3D50W	NWHEUD50W-EM

Consult housing specification sheet for more details.

For dimming, please visit our Web site frequently to find our suggested compatible dimmers: www.contrastlighting.com

OPTIC SYSTEM

Choice of available lenses:

Clear (C)

Frosted (F)

Optical reflectors available: Spot, Narrow Flood, Flood**Standard**

Spot (S)	15°
Narrow Flood (M)	24°
Flood (L)	44°

*** Average beams shown. Consult .ies files on our Website for more details.**

TRIM FINISHES

Plated die-formed steel, with powder coating, Marine Grade option available. The center is adjustable incrementally.

Different finishes available:

White (-01), Matte White (-11), Matte Black (-22) and Polar Grey (-25)

CONTRASTE

2020-05
Revision 4

PRINTED IN CANADA

1009, rue du Parc Industriel
Lévis (Québec) G6Z 1C5 Canada
Tel.: 1-888-839-4624
Fax.: 1-877-839-7057
contrastlighting.com
info@contrastlighting.com© 2020 Contrast Lighting M.L. Inc.
All rights reserved

Contrast Lighting M.L. Inc. reserves the right to make changes in specifications and/or to discontinue any product at any time without notice or obligation and will not be liable for any consequences resulting from the use of this publication.

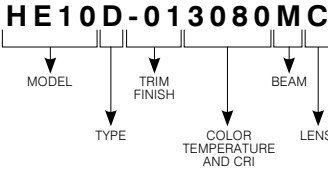
HexaLED 2.0

10" Series

High-performance Controlled Beam Round Trim



CODIFICATION EXAMPLE



ORDERING CODES

MODEL	TYPE	TRIM FINISHES	COLOR TEMPERATURES AND CRI	BEAMS	LENSES
HE10					
HE10	D Adjustable	-01 White	3080 3,000K (80+ CRI)	S Spot (15°)	C Clear
		-11 Matte White	3580 3,500K (80+ CRI)	M Narrow Flood (24°)	F Frosted
		-22 Matte Black	4080 4,000K (80+ CRI)	L Flood (44°)	
		-25 Polar Grey	3090 3,000K (90+ CRI)		
			3590 3,500K (90+ CRI)		
			4090 4,000K (90+ CRI)		

HexaLED 2.0

10" Series**High-performance Controlled Beam Round Trim**

PHOTOMETRIC DATA



In order to obtain the accurate photometric data, multiply the lumens relative to your product selection by the applicable factor(s). Take note these factors also need to be implemented in the .ies files available on our website.

With Performance 20W

	Spot (15°)		Narrow Flood (24°)		Flood (44°)	
3,000K with 80+ CRI	2,201 lm	110.1 lm/W	2,249 lm	112.5 lm/W	2,269 lm	113.4 lm/W
3,500K with 80+ CRI	2,244 lm	112.3 lm/W	2,294 lm	114.7 lm/W	2,315 lm	115.8 lm/W
4,000K with 80+ CRI	2,318 lm	116.0 lm/W	2,370 lm	118.5 lm/W	2,390 lm	119.6 lm/W
3,000K with 90+ CRI	1,890 lm	94.4 lm/W	1,932 lm	96.5 lm/W	1,949 lm	97.5 lm/W
3,500K with 90+ CRI	1,928 lm	96.3 lm/W	1,971 lm	98.6 lm/W	1,989 lm	99.5 lm/W
4,000K with 90+ CRI	1,992 lm	99.5 lm/W	2,035 lm	101.8 lm/W	2,054 lm	102.7 lm/W

With Performance 28W

	Spot (15°)		Narrow Flood (24°)		Flood (44°)	
3,000K with 80+ CRI	3,019 lm	107.8 lm/W	3,086 lm	110.2 lm/W	3,114 lm	111.2 lm/W
3,500K with 80+ CRI	3,079 lm	110.0 lm/W	3,148 lm	112.5 lm/W	3,176 lm	113.4 lm/W
4,000K with 80+ CRI	3,181 lm	113.6 lm/W	3,251 lm	116.1 lm/W	3,280 lm	117.1 lm/W
3,000K with 90+ CRI	2,593 lm	92.6 lm/W	2,651 lm	94.7 lm/W	2,675 lm	95.5 lm/W
3,500K with 90+ CRI	2,645 lm	94.4 lm/W	2,704 lm	96.6 lm/W	2,729 lm	97.5 lm/W
4,000K with 90+ CRI	2,733 lm	97.6 lm/W	2,793 lm	99.8 lm/W	2,819 lm	100.6 lm/W

With Performance 36W

	Spot (15°)		Narrow Flood (24°)		Flood (44°)	
3,000K with 80+ CRI	3,856 lm	107.1 lm/W	3,941 lm	109.4 lm/W	3,977 lm	110.5 lm/W
3,500K with 80+ CRI	3,933 lm	109.2 lm/W	4,020 lm	111.7 lm/W	4,057 lm	112.7 lm/W
4,000K with 80+ CRI	4,064 lm	112.8 lm/W	4,153 lm	115.3 lm/W	4,190 lm	116.4 lm/W
3,000K with 90+ CRI	3,313 lm	92.0 lm/W	3,386 lm	94.1 lm/W	3,416 lm	94.9 lm/W
3,500K with 90+ CRI	3,379 lm	93.8 lm/W	3,453 lm	96.0 lm/W	3,485 lm	96.8 lm/W
4,000K with 90+ CRI	3,490 lm	96.9 lm/W	3,568 lm	99.1 lm/W	3,600 lm	99.9 lm/W

CONTRASTE

2020-05
Revision 4

PRINTED IN CANADA

1009, rue du Parc Industriel
Lévis (Québec) G6Z 1C5 Canada
Tel.: 1-888-839-4624
Fax.: 1-877-839-7057
contrastlighting.com
info@contrastlighting.com

© 2020 Contrast Lighting M.L. Inc.
All rights reserved

Contrast Lighting M.L. Inc. reserves the right to make changes in specifications and/or to discontinue any product at any time without notice or obligation and will not be liable for any consequences resulting from the use of this publication.

HexaLED 2.0

10" Series**High-performance Controlled Beam Round Trim**

PHOTOMETRIC DATA

**With Performance 50W**

	Spot (15°)		Narrow Flood (24°)		Flood (44°)	
	lm	lm/W	lm	lm/W	lm	lm/W
3,000K with 80+ CRI	4,944	100.9	5,054	103.1	5,100	104.1
3,500K with 80+ CRI	5,043	102.9	5,156	105.2	5,201	106.2
4,000K with 80+ CRI	5,208	106.4	5,324	108.7	5,340	109.7

3,000K with 90+ CRI	4,248	86.7	4,341	88.6	4,381	89.4
3,500K with 90+ CRI	4,333	88.4	4,429	90.4	4,468	91.2
4,000K with 90+ CRI	4,476	91.4	4,575	93.4	4,616	94.2

Lenses Factor	
C	1
F	0.71

CONTRASTE

2020-05
Revision 4

PRINTED IN CANADA

1009, rue du Parc Industriel
Lévis (Québec) G6Z 1C5 Canada
Tel.: 1-888-839-4624
Fax.: 1-877-839-7057
contrastlighting.com
info@contrastlighting.com

© 2020 Contrast Lighting M.L. Inc.
All rights reserved

Contrast Lighting M.L. Inc. reserves the right to make changes in specifications and/or to discontinue any product at any time without notice or obligation and will not be liable for any consequences resulting from the use of this publication.

HexaLED 2.0

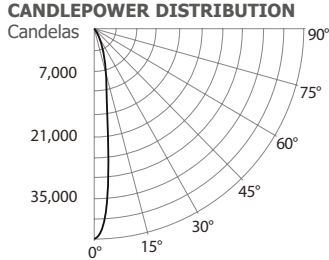
10" Series

High-performance Controlled Beam Round Trim

PHOTOMETRIC DATA



4,000K, 80+ CRI, Spot, Performance 50W



Distance	FC	DIA
10'	418.4	2.5'
20	104.6	5.0'
30'	46.49	7.4'
40'	26.15	9.9'
50'	16.74	12.4'

Beam: 14.1"
Beam Edge defined as 50% of Maximum Nadir Candle-power.

LUMINAIRE	
Performance 50W LED	4,000K Spot
CBCP / Lumens	41,840 / 5,207.5
Watts	120V 277V 50W 50.5W
Operating AMPS	0.42A 0.18A
Lumen Maintenance	L70 @ 50,000 Hrs
CRI	80+
Lumens/Watt	104
Spacing Criteria	0.07

COEFFICIENT OF UTILIZATION - %							
Ceiling Reflect %	80		50		30		
Wall Reflect %	50	30	50	30	50	30	
RCR	0	119	119	111	111	106	106
	2	108	105	103	101	101	99
	4	100	96	97	94	95	93
	6	94	90	92	89	91	88
	8	88	85	87	84	86	83
	10	84	80	83	80	82	79

Zonal Cavity Method
Effective Floor Cavity Reflectance 20%

ZONAL LUMEN SUMMARY

ZONE	LUMENS	%LUMINAIRE
0-30	5,083.5	97.6%
0-40	5,193.1	99.7%
0-60	5,207.5	100%
60-90	0.0	0%
0-90	5,207.5	100%

MULTIPLE UNIT DATA - (RCR 2)

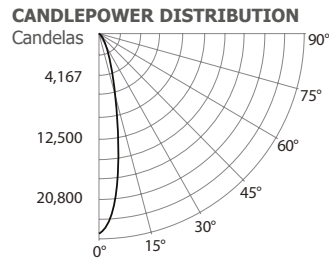
SPACING ON CENTER	INITIAL FOOTCANDLES	WATTS/SQ. FT.
5'	33	0.28
6'	29	0.24
7'	49	0.42
8'	41	0.35
9'	41	0.35

38' x 38' x 10' Room. Workplan located 2-1/2' (30").
Reflectance factor 80%/50%/30%

CANDELAS DISTRIBUTION

DEGREES/VERTICAL	CANDELAS	DEGREES/VERTICAL	CANDELAS
0	41,840	40	55
5	32,690	50	0
10	12,063	60	0
15	6,109	70	0
20	4,219	80	0
25	2,187	90	0
30	649		

4,000K, 80+ CRI, Narrow Flood, Performance 50W



Distance	FC	DIA
10'	242.63	4.2'
20'	60.66	8.3'
30'	26.96	12.5'
40'	15.16	16.6'
50'	9.71	20.8'

Beam: 23.5"
Beam Edge defined as 50% of Maximum Nadir Candle-power.

LUMINAIRE	
Performance 50W LED	4,000K Narrow Flood
CBCP / Lumens	24,263 / 5,324.0
Watts	120V 277V 50W 50.5W
Operating AMPS	0.42A 0.18A
Lumen Maintenance	L70 @ 50,000 Hrs
CRI	80+
Lumens/Watt	106.5
Spacing Criteria	0.10

COEFFICIENT OF UTILIZATION - %							
Ceiling Reflect %	80		50		30		
Wall Reflect %	50	30	50	30	50	30	
RCR	0	119	119	111	111	106	106
	2	108	105	103	101	100	98
	4	99	95	96	93	94	91
	6	92	88	90	86	89	86
	8	86	82	85	81	84	81
	10	81	77	80	76	79	76

Zonal Cavity Method
Effective Floor Cavity Reflectance 20%

ZONAL LUMEN SUMMARY

ZONE	LUMENS	%LUMINAIRE
0-30	5,158.5	96.9%
0-40	5,319.8	99.9%
0-60	5,324.0	100%
60-90	0.0	0%
0-90	5,324.0	100%

MULTIPLE UNIT DATA - (RCR 2)

SPACING ON CENTER	INITIAL FOOTCANDLES	WATTS/SQ. FT.
5'	33	0.28
6'	29	0.24
7'	50	0.42
8'	42	0.35
9'	42	0.35

38' x 38' x 10' Room. Workplan located 2-1/2' (30").
Reflectance factor 80%/50%/30%

CANDELAS DISTRIBUTION

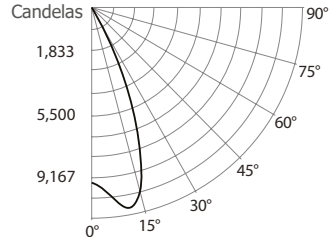
DEGREES/VERTICAL	CANDELAS	DEGREES/VERTICAL	CANDELAS
0	24,263	40	23
5	21,212	50	1
10	14,538	60	0
15	8,082	70	0
20	4,247	80	0
25	2,437	90	0
30	955		

HexaLED 2.0

10" Series

High-performance Controlled Beam Round Trim

PHOTOMETRIC DATA

**4,000K, 80+ CRI, Flood, Performance 50W****CANDLEPOWER DISTRIBUTION****LIGHT CONE**

Distance	PB	DIA
10'	92.02	8.2'
20'	23.02	16.3'
30'	10.23	24.5'
40'	5.76	32.7'
50'	3.68	40.9'

Beam: 44.5°
Beam Edge defined as 50%
of Maximum Nadir Candle-power.

LUMINAIRE

Performance 50W LED	4,000K Flood	
CBCP / Lumens	9,209 / 5,339.8	
Watts	120V	277V
	50W	50.5W
Operating AMPS	0.42A	0.18A
Lumen Maintenance	L70 @ 50,000 Hrs	
CRI	80+	
Lumens/Watt	106,7	
Spacing Criteria	0.19	

COEFFICIENT OF UTILIZATION - %

Ceiling Reflect %	80		50		30		
Wall Reflect %	50	30	50	30	50	30	
RCR	0	119	119	111	111	106	106
	2	106	103	101	99	99	97
	4	96	92	93	90	91	88
	6	88	83	86	82	84	81
	8	81	76	79	75	78	75
	10	75	70	73	69	73	69

Zonal Cavity Method

Effective Floor Cavity Reflectance 20%

ZONAL LUMEN SUMMARY

ZONE	LUMENS	%LUMINAIRE
0-30	5,121.3	95.9%
0-40	5,333.2	99.9%
0-60	5,339.1	100%
60-90	0.7	0%
0-90	5,339.8	100%

MULTIPLE UNIT DATA - (RCR 2)

SPACING ON CENTER	INITIAL FOOTCANDLES	WATTS/SQ. FT.
5'	33	0.28
6'	29	0.24
7'	50	0.42
8'	41	0.35
9'	41	0.35

38' x 38' x 10' Room. Workplan located 2-1/2' (30").
Reflectance factor 80%/50%/30%

CANDELAS DISTRIBUTION

DEGREES/ VERTICAL	CANDELAS	DEGREES/ VERTICAL	CANDELAS
0	9,209	40	26
5	9,827	50	1
10	10,420	60	0
15	9,636	70	0
20	6,837	80	0
25	3,452	90	0
30	1,107		

CONTRASTE

2020-05
Revision 4

PRINTED IN CANADA

1009, rue du Parc Industriel
Lévis (Québec) G6Z 1C5 Canada
Tel.: 1-888-839-4624
Fax.: 1-877-839-7057
contrastlighting.com
info@contrastlighting.com

© 2020 Contrast Lighting M.L. Inc.
All rights reserved

Contrast Lighting M.L. Inc. reserves the right to make changes in specifications and/or to discontinue any product at any time without notice or obligation and will not be liable for any consequences resulting from the use of this publication.