

A2120

4" Series

Low Profile Deep Regressed Square Trim

SPECIFICATIONS

TRIM	Powder coat painted or plated die-formed steel. Different finishes available. Painted finishes available with Marine Grade option.
LAMPS	PAR20 50W If you want to use the dimming option and you use a PAR20 LED lamp, please refer regularly to the lamp manufacturer compatibility list.
REFLECTOR	Semi-specular low iridescence aluminum
CEILING CUTOUT	Ø 4-1/4" (108 mm)
CERTIFICATION	cULus E174023 for damp locations
WARRANTY	1 year for standard finishes, 2-year on "Marine Grade" finish.

Project _____

Notes _____

Fixture Type _____

Date _____

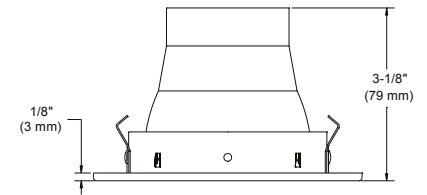
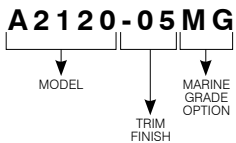


A2120-11
(illustrated)

COMPATIBLES HOUSINGS

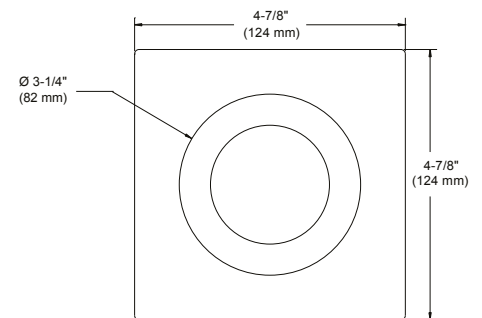
	Remodel Housing	New Construction Housing	Insulated Housing
HALOGENS	PAR20 E26 50W CA2000U	PAR20 E26 50W NW2000CAU	PAR20 E26 35W ISCA2000

CODIFICATION EXAMPLE



ORDERING CODE

MODEL	TRIM FINISHES	MARINE GRADE
A2120		
-01	White	MG (optional)
-02	Black	May be applied on finishes:
-03	24K Gold Plated	-01, -02, -05, -06, -11 and -15
-04	Chrome	
-04BR	Brushed Chrome	
-05	Architectural Bronze	
-06	Antique Copper	
-11	Matte White	
-12BR	Brushed Nickel	
-13	Satin Nickel	
-15	Metallic Grey	



MARINE GRADE

2-year warranty on finish

This option increases the painted finishes resistance by reducing and delaying apparition and propagation of oxidation (ex: rust and others).

MARINE GRADE treatment is recommended for damp to wet locations.

Unless otherwise indicated, trims are for interior use. Also suitable for cold and exterior locations, as in soffits, where fixtures are not subject to direct rain or snow exposure.

WARNING – This option is not suitable for salt environments and/or highly corrosive areas such as soffits in coastal regions and natatoriums. Such usage would void warranty on the product.

