

INSTALLATION INSTRUCTIONS

Remodel Housing «IC» and Airtight for LED lamp (except polyurethane)
3-1/2" and 4" (GU10/MR16/PAR16)

FOR INSTALLATION IN INSULATED CEILING - SUITABLE FOR DAMP LOCATIONS

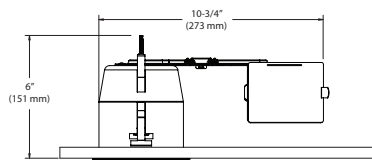
CA3000-LED, IT2000E-LED, IT2000T-LED, IT3000E-LED, IT3000T-LED

Minimum clearance required inside the ceiling to ensure proper housing installation.

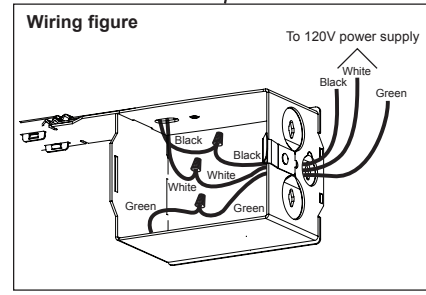
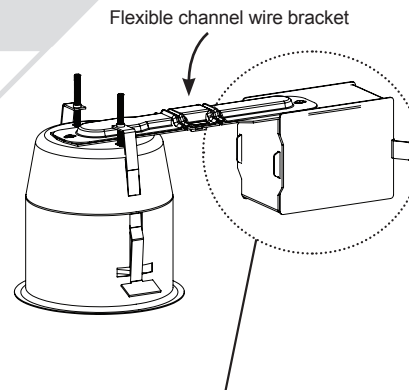
CA3000-LED: 7" x 10-3/4"

IT3000T-LED, IT3000E-LED: 6" x 10-1/2"

IT2000T-LED, IT2000E-LED: 6" x 10-3/4"



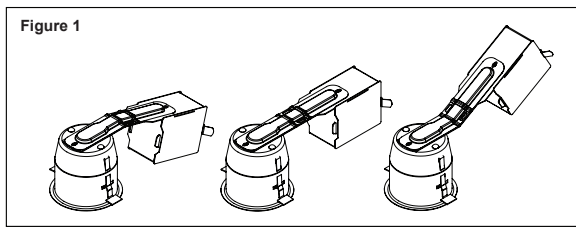
IT2000E-LED Housing



- SHUT OFF ELECTRICAL SUPPLY AT SOURCE.**
- Bring the electrical wiring in the ceiling respecting local electrical codes.
- Cut a hole in the ceiling:
3000 Series: Ø 3-5/8" (92 mm)
2000 Series: Ø 4-1/4" (108 mm)
- Remove the junction box cover by pushing on the spring latch. Remove the appropriate knockout(s) to accommodate your wiring. Remove the aluminum tape and store it safely for use in step 8. Connect the wires coming from the power supply to the junction box wires, and match colors together (White/White, Black/Black, Green/Green, see **Wiring figure**). Close the junction box.

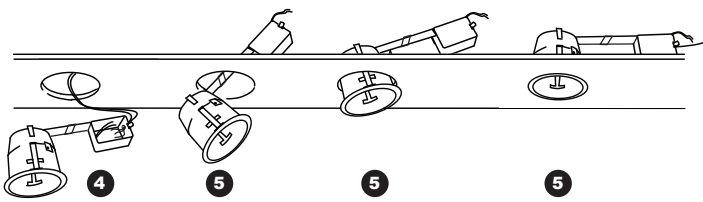
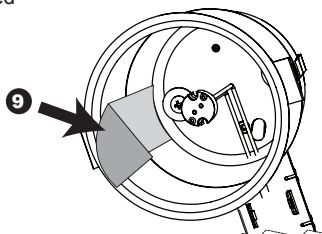
IMPORTANT: Leave an extra length of 6" of supply leads and ground wire inside the junction box.

- Push the fastening hooks inside the housing through the lateral opening. Slide the housing into position. Flexible channel wire bracket bending (up to 45° MAX) for ease of installation in confined space (see **figure 1**).
- Push fastening hooks outside the housing through the lateral openings.
- Fasten the housing with the adjustment screws.

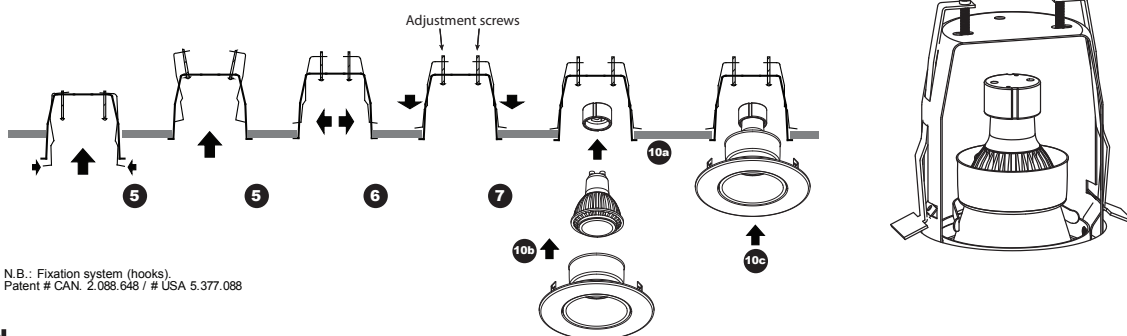


INSTALLATION OF ALUMINUM TAPE

- Remove the film on the back of the included aluminum tape.
- Apply the aluminum tape inside the housing as to entirely cover hook openings on both sides of the housing.
- Insert: a) the lamp into the socket
b) the lamp into the trim
c) the trim into the housing



**Do not install the supplied lens.*



N.B.: Fixation system (hooks).
Patent # CAN. 2.088.648 / # USA 5.377.088



Please keep these instructions for maintenance reference.



WARNING - The use of other company's (non-Contrast) products or components (ex. trims) in conjunction with Contrast products may not be covered by UL approvals, and could be hazardous. Such use automatically voids all Contrast warranty and responsibility of these products .



WARNING: RISK OF FIRE
Most dwellings built before 1985 have supply wires rated 60° C. Consult a qualified Electrician before installing.



It is very important not to exceed the lamp wattage indicated.

CA3000-LED, IT2000T-LED, IT3000T-LED:

This product was designed for PAR16 LED or GU10 LED lamps. If you want to use a dimmer, please refer regularly to the lamp manufacturer dimmer compatibility list.

IT2000E-LED, IT3000E-LED:

During Product Development Contrast tested some dimmers that you will find by consulting regularly the dimmer compatibility list on our website at (www.contrastlighting.com). Constant progresses in MR16 LED lamps and dimmers technologies may change in compatibility options that you will find by consulting frequently the lamp manufacturer compatibility list.

WARRANTY: CONTRAST LIGHTING M. L. INC. guarantees the components against manufacturing defects for a period of one (1) year, under normal use with proof of purchase. The obligation of the manufacturer consists in the cost of the components and does not cover the cost of labor and transport for replacement. For all claims, please contact your local supplier. See our Web site for additional warranty details. Note: 3 year warranty on electronic transformer.

CONTRASTE

clairagecontraste.com/fr

1009, rue du Parc Industriel
Lévis (Québec) G6Z 1C5 Canada

Tél.: 1-888-839-4624
Télec.: 1-877-839-7057

info@contrastlighting.com

© 2016 Éclairage Contraste M.L. Inc.
Tous droits réservés

EC644 (REV: A)
103709

Éclairage Contraste se réserve le droit de modifier les spécifications et/ou de discontinuer tout produit et en tout temps et ne pourra être tenu responsable pour toutes conséquences résultant de l'utilisation de cette publication.