

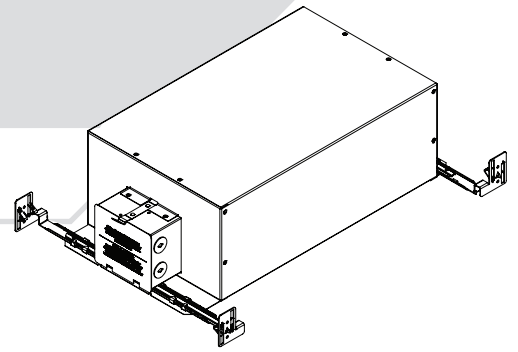
# INSTALLATION INSTRUCTIONS

## IC LED Housings - 200 and 300 Series (except polyurethane)

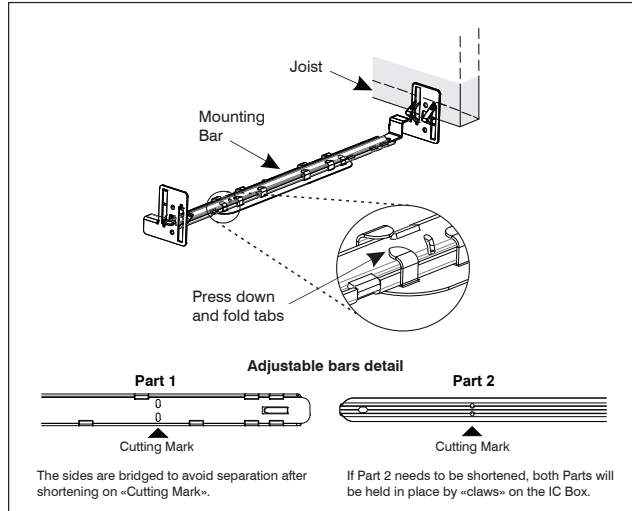
TO BE USED IN INSULATED MATERIALS - SUITABLE FOR DAMP LOCATION

ISLD200LE1 - ISLD200LE2 - ISLD300LE1 - ISLD300LE2 - ISLD200LD1 - ISLD200LD2

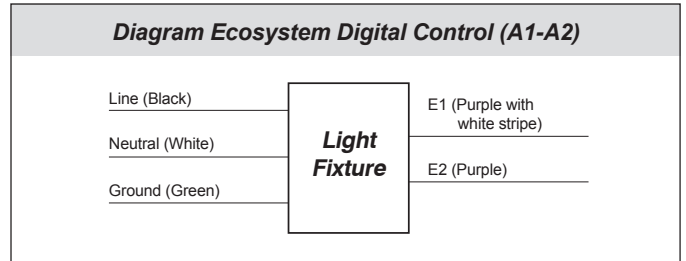
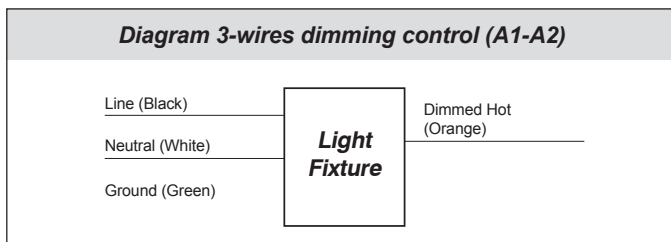
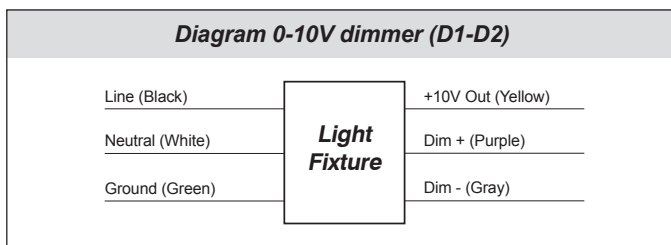
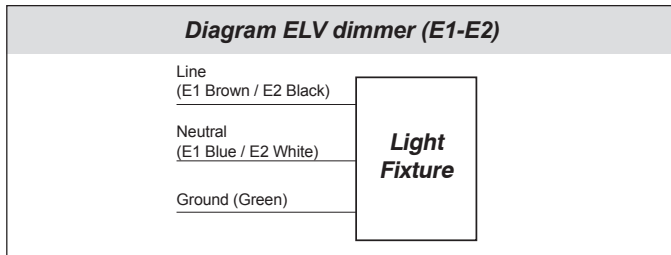
ISLD300LD1 - ISLD300LD2 - ISLD200LA1 - ISLD200LA2 - ISLD300LA1 - ISLD300LA2



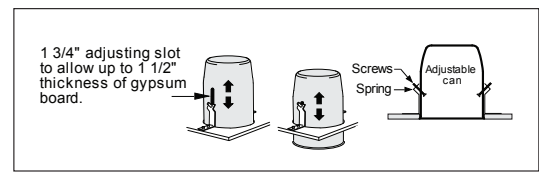
1. SHUT OFF ELECTRICAL SUPPLY AT SOURCE.
2. Remove the can from the « IC » box by unscrewing the two screws that hold it in the box and reserve it with the screws for installation at STEP 10.
3. Locate position of mounting frames and install before the gypsum board. Fasten the mounting frame to the wood joist with the adjustable mounting bars (10" to 24,5"). To shorten the bars to 10", remove bars and cut off at the notch (See adjustable mounting bars detail view).
4. Once the correct bar length is known, fold down and press tabs to lock the plate onto the mounting bars.



5. Bring the electrical wiring to the housing junction box as per applicable local electrical codes.
6. Open the junction box and connect the wires based on diagrams below. Close the junction box.



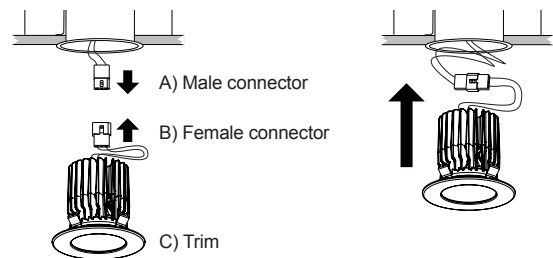
7. Install the ceiling material and locate the center of fixture.
  8. Cut a hole to a diameter of:  
ISLD200: Ø 4-1/4" (108 mm)  
ISLD300: Ø 3-5/8" (92 mm)
  9. Connect the housing wires to the can wires.
- 
10. Insert can in the housing and fix it with the two adjustment screws.



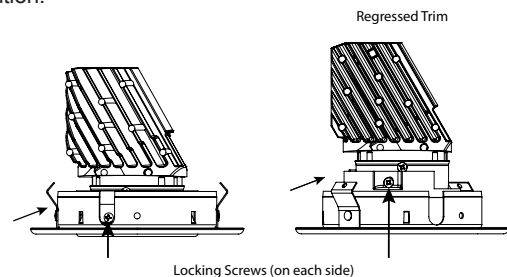
11. Install the trim.

Connect the male and female connectors.

Push connected wires in the pot then push the trim in the can.



For the adjustable trim (LD2A, LD2B, LD2D, LD2E, LD3A, LD3B, INT20PA, INT21PA), choose aiming angle then tighten screws to lock into position.



Please keep these installation instructions for future maintenance.



**CAUTION** The use of another company's (non-Contrast) products or components in conjunction with Contrast products may not be covered by UL approvals, and could be hazardous. Such use automatically voids all Contrast warranties and responsibility for any problems that may result from such use.



### WARNING SHOCK AND FIRE HAZARD

Most dwellings built before 1985 have supply wires rated 60°C. Consult a qualified electrician before installing.

**Please visit regularly the Website to see the list of compatible dimmers or for more details.**



WARRANTY: CONTRAST LIGHTING M. L. INC. guarantees the components against manufacturing defects for a period of one (1) year, under normal use with proof of purchase. The obligation of the manufacturer consists in the cost of the components and does not cover the cost of labor and transport for replacement. For all claims, please contact your local supplier. See our Web site for additional warranty details. Note: 5 year warranty on driver and LED module.

**CONTRASTE**  
contrastlighting.com

2016-03

PRINTED IN CANADA

1009, rue du Parc Industriel  
Lévis (Québec) G6Z 1C5 Canada

Tel.: 1-888-839-4624  
Fax.: 1-877-839-7057

info@contrastlighting.com

© 2016 Contrast Lighting M.L. Inc.  
All rights reserved

Contrast Lighting reserves the right to make changes in specifications and/or to discontinue any product at any time without notice or obligation and will not be liable for any consequences resulting from the use of this publication.

EC638 (Rev. F)  
103616