



MULTI-AIM™ SPECIFICATION SHEET

MULTI-AIM PAR30L METAL HALIDE RECESSED NEW CONSTRUCTION

LAMPING: 3 x 70 watt max. (long neck)

Cat. No.: L-NW-CDMR-3E - - -

Type: _____

Project: _____

Fixture Description:

Recessed 3-light PAR 30L Metal Halide, dual inner gimble ring adjustable lighting fixture. Housing interior, adjustable lamp assembly and ceiling trims available in satin silver, matte black, and matte white. Special order for other Contrast finishes, consult factory. Includes mounting brackets and bars.

Features:

1. **Adjustable flex** for tight spaces above ceiling.
2. **Integral High Power Factor electronic ballast for each lamp.** Input watts: 77W. Line current: 63 amps. Short circuit protection Open circuit/No lamp/Hot lamp shut-down, retry and ignition failure protection. Features hands free below ceiling maintenance.
3. **Socket:** 5KV pulse rated porcelain medium base with nickel plated screw shell.
4. **Adjustable housing** for 'Mask and Mud' trimless application.
5. **Adjustable inner and outer gimble ring with aiming lock feature.** Outer Ring: 45° lateral tilt. Inner Ring: 40° longitudinal tilt. 360° horizontal adjustment. **Gimble ring color matches housing.**
6. **Lampholder caps** allow convenient front loading of PAR30 Metal Halide long neck lamp. Constructed of die formed aluminum and provides visual glare cutoff. Includes clear UV filtered lens..
7. **Junction box** is 16 guage, 4-in, 4-out branch circuit wiring. UL listed for through branch wiring. Accessible below ceiling.
8. **Thermal protector** meets NEC, UL & cUL requirements.
9. **Adjustable thumb screws** allows vertical adjustment of socket compartment to accomodate ceilings up to 2" thick.
10. **Ceiling trim flange** is mounted to housing with torsion springs.
11. **Butterfly mounting brackets** vertically adjustable from outside of housing.
12. **Die formed fixture frame and housing** constructed of 18 guage CRS, powder-coated baked enamel finish. Frame-in housing complete with 16 guage j-box for 4-in, 4-out branch circuit wiring. Fully enclosed wiring compartment.

Notes

All galvanized steel construction available. Consult factory.

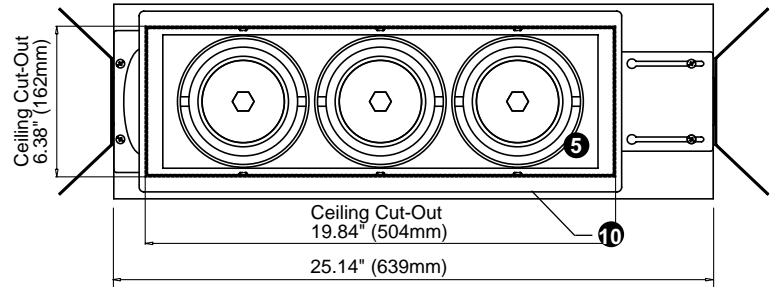
Labels

UL / cUL

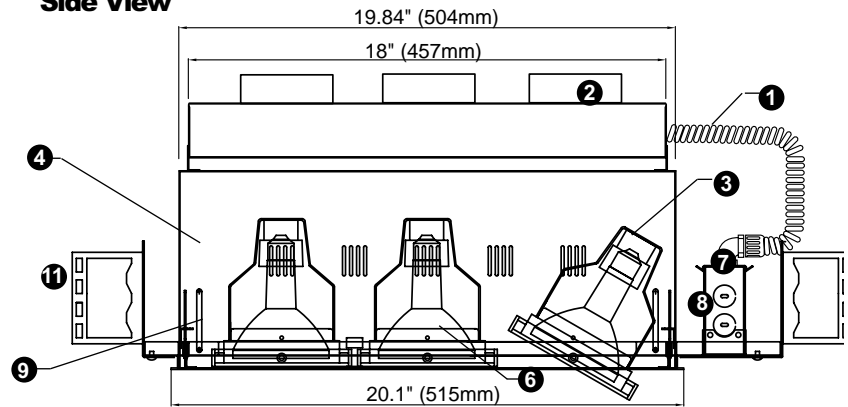
Chicago Plenum (consult factory)

Suitable for damp location

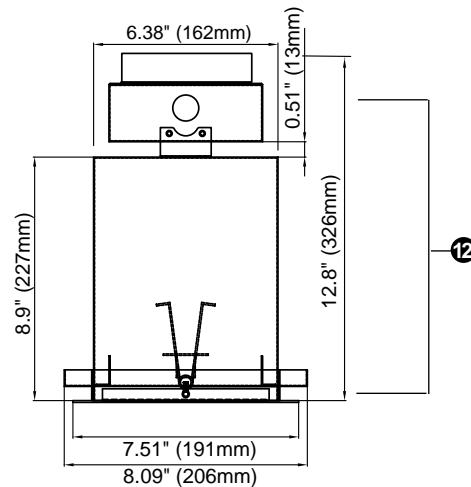
Bottom View



Side View



End View



Ordering Information - check appropriate boxes.

Catalog No.

L-NW-CDMR-3E

Housing Finish

HB (Matte Black)

HW (Matte White)

HS (Satin Silver)

Trim Finish

TB (Matte Black)

TW (Matte White)

TS (Satin Silver)

Voltage

120 (120V)

277 (277V)

Options

GS (Galvanized Steel)

Example: L-NW-CDMR-3E-HS-TS-120

Please see back of sheet for lens accessories and photometrics. We reserve the right to change specifications without notice.

Light
in
Design

by **CONTRAST** ML Inc.
LIGHTING

"When light becomes art"

1009 du Parc Industriel • Saint-Jean-Chrysostome
Quebec, Canada G6Z1C5
Tel.: 418.839.4624 • Fax: 418.839.7057
Toll-free tel.: 1.888.839.4624
www.contrastlighting.com

11/15/04