

MULTI-AIM™ SPECIFICATION SHEET

**MULTI-AIM DECO SERIES 50W 4 LIGHT MR16
RECESSED REMODEL / REMOTE**
LAMPING: 2 x 50 watt max.

Cat. No.: L-IT-316C-2E-HB- _____ - _____

Cat. No.: L-RM-316C-2R-HB- _____ - _____

Type: _____

Project: _____

Fixture Description:

Recessed 2-light MR16 fixture for use with Multi-Aim Deco series plate housing trim and various combinations of Contrast Lighting 2, 3 and 4 downlight fixture trims. For remodel applications. Interior housing available in matte black finish. Deco plate and fixture trims available in 14 standard plated and painted finishes, consult Multi-Aim catalog for colors. Includes mounting clips.

Features:

1. Integral dimmable transformer for each lamp. Primary lead is 120V. Secondary lead is 11.5V. 277V also available. Features 'hands free' maintenance (access above ceiling not required). 3 year mfg. warranty on electronic and magnetic transformers

2. Adjustable flex .

3. Socket: Steatite MR16 bi-pin double contact pure nickel 250C 18awg Teflon leads. Limited 3 year warranty.

4. Downlight Fixture trims. Available in 4" dia. 7000 series and 3-1/2" dia. 3000 series spots. Consult Multi-Aim catalog for styles and finish colors.

5. Multi-Aim Deco Plate: Mounted to housing. Available in oval (DPO) and rectangular (DPR) in finish colors to match downlight fixture trims. Consult Multi-Aim catalog for style and color codes.

6. Junction box is 16 gauge, 4-in, 4-out branch circuit wiring. UL listed for through branch wiring. Accessible below ceiling.

7. Thermal protector meets NEC and UL/cUL requirements.

8. Slot adjustable spring clips provides for easy installation and accomodates ceilings up to 2" thick.

9. Die formed fixture frame in body and fixture body constructed of 18 gauge CRS, powder-coated baked enamel finish. Frame-in housing complete with 16 gauge j-box for 4-in, 4-out branch circuit wiring. Fully enclosed wiring compartment.

Notes

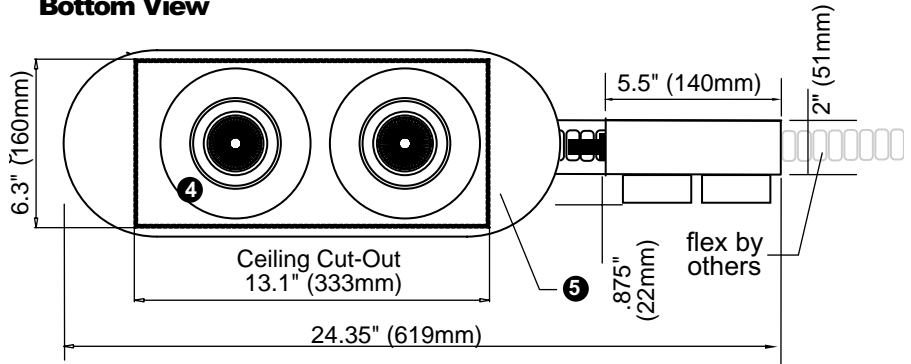
All galvanized steel construction available. Consult factory.

Labels

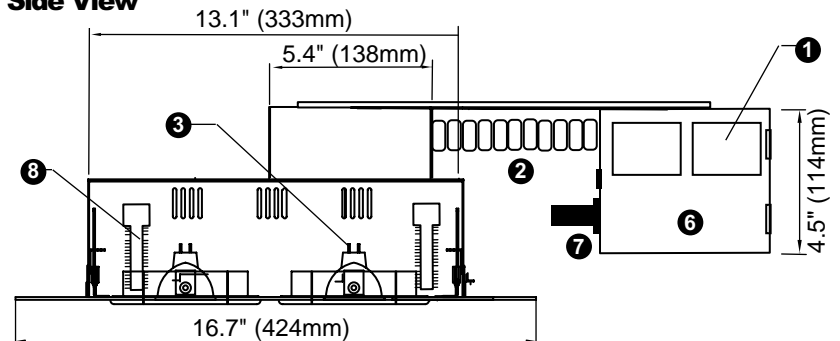
UL/cUL
Suitable for damp location



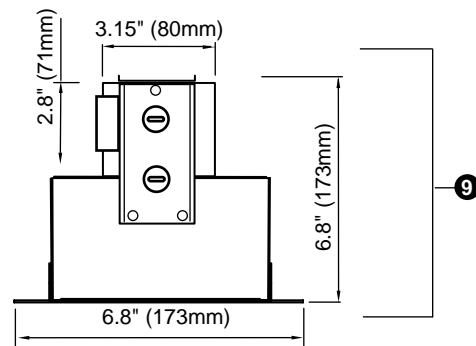
Bottom View



Side View



End View



Ordering Information - check appropriate boxes.

Catalog No.	Transformer	Voltage	Deco Plate Trim and Finish (see catalog)	Fixture Trim and Finish (see catalog)	Options
<input checked="" type="checkbox"/> L-IT-316C-2	<input type="checkbox"/> E (Electronic) <input type="checkbox"/> R (Remote)	<input type="checkbox"/> 120 (120V) <input type="checkbox"/> 277 (277V)	<input type="checkbox"/> DPO _____ <input type="checkbox"/> DPR _____ Example: DPO-7000-2	<input checked="" type="checkbox"/> _____ Example: T7024-2	<input type="checkbox"/> GS (Galvanized Steel) <input type="checkbox"/> _____ <input type="checkbox"/> _____

Example: L-IT-316C-2-E-120DPO7000-4 Order fixture trim(s) separately. Example: T7024-04

We reserve the right to change specifications without notice.

©2004 Light in Design / Contrast Lighting.

Light in Design **LID** by **CONTRAST** LIGHTING
ML Inc.
"When light becomes art"

1009 du Parc Industriel • Saint-Jean-Chrysostome
Quebec, Canada G6Z1C5
Tel.: 418.839.4624 • Fax: 418.839.7057
Toll-free tel.: 1.888.839.4624
www.contrastlighting.com
LIT316C2.3.042304