

MULTI-AIM™ SPECIFICATION SHEET

MULTI-AIM DECO SERIES 50W 4 LIGHT MR16 RECESSED NEW CONSTRUCTION

LAMPING: 3 x 50 watt max.

Cat. No.: L-NW-316C-3E- _____ - _____ - _____

Cat. No.: L-NW-316C-3M- _____ - _____ - _____

Type: _____

Project: _____

Fixture Description:

Recessed 3-light MR16 fixture for use with Multi-Aim Deco series plate housing trim and various combinations of Contrast Lighting 2, 3 and 4 downlight fixture trims. Interior housing available in matte black finish. Deco plate and fixture trims available in 14 standard plated and painted finishes, consult Multi-Aim catalog for colors. Includes butterfly mounting brackets. Flat hanger bars optional.

Features:

1. **Adjustable flex** for tight spaces above ceiling.
2. **Integral Aromat® dimmable transformer for each lamp.** Primary lead is 120V. Secondary lead is 11.5V. 277V also available. 3 year mfg. warranty on electronic and magnetic transformers
3. **Socket:** Steatite MR16 bi-pin double contact pure nickel 250C 18awg Teflon leads. Limited 3 year warranty.
4. **Downlight Fixture trims.** Available in 4" dia. 7000 series and 3-1/2" dia. 3000 series spots. Consult Multi-Aim catalog for styles and finish colors.
5. **Multi-Aim Deco Plate:** Available in oval (DPO) and rectangular (DPR) in finish colors to match downlight fixture trims. Consult Multi-Aim catalog for style and color codes.
6. **Heavy gauge U steel strap support.**
7. **16" suspension wire** holds socket compartment steady for easy below ceiling access. Features 'hands free' maintenance.
8. **Junction box** is 16 gauge, 4-in, 4-out branch circuit wiring. UL listed for through branch wiring. Accessible below ceiling.
9. **Thermal protector** meets NEC, UL & cUL requirements.
10. **Adjustable thumb screws** allows vertical adjustment of socket compartment to accommodate ceilings up to 2" thick.
11. **Multi-Aim Deco Plate** is mounted to housing with torsion springs.
12. **Butterfly mounting brackets** vertically adjustable from outside of housing.
13. **Die formed fixture frame in body and fixture body** constructed of 18 gauge CRS, powder-coated baked enamel finish. Frame-in housing complete with 16 gauge j-box for 4-in, 4-out branch circuit wiring. Fully enclosed wiring compartment.

Notes

All galvanized steel construction available. Consult factory.

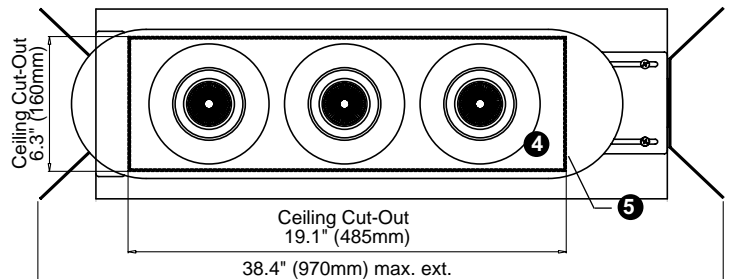
Labels

UL / cUL

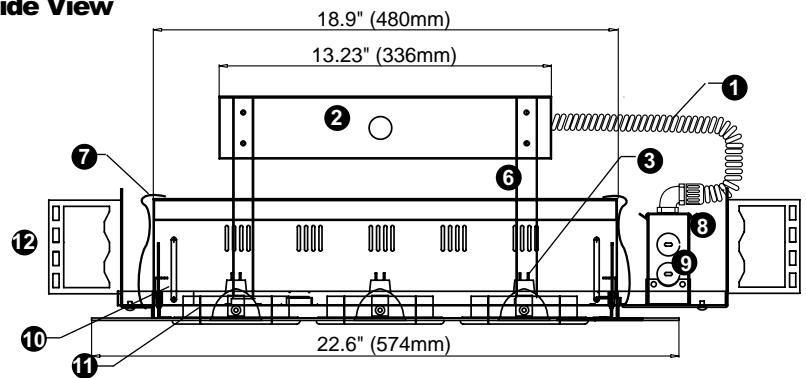
Suitable for damp location



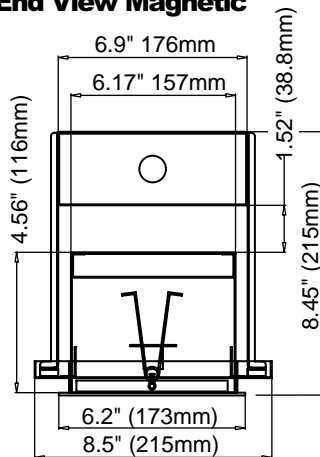
Bottom View



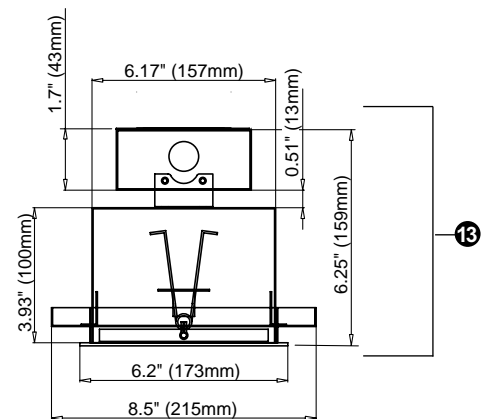
Side View



End View Magnetic



End View Electronic



Ordering Information - check appropriate boxes.

Catalog No.	Transformer	Voltage
<input checked="" type="checkbox"/> L-NW-316C-3	<input type="checkbox"/> E (Electronic)	<input type="checkbox"/> 120 (120V)
	<input type="checkbox"/> M (Magnetic)	<input type="checkbox"/> 277 (277V)

Deco Plate Trim and Finish (see catalog)

DPO _____
 DPR _____
 Example: DPR-7000-2

Fixture Trim and Finish (see catalog)

 Example: T7024-2

Options

GS (Galvanized Steel)

Example: L-NW-316C-3-E-120+DPO7024-4 Order fixture trim(s) separately. Example: T7024-4

Please see back of sheet for lens accessories and photometrics. We reserve the right to change specifications without notice.

©2004 Light in Design / Contrast Lighting.



1009 du Parc Industriel • Saint-Jean-Chrysostome
 Quebec, Canada G6Z1C5
 Tel.: 418.839.4624 • Fax: 418.839.7057
 Toll-free tel.: 1.888.839.4624
 www.contrastlighting.com
 LNW316C4.2.042404