



# MULTI-AIM™ SPECIFICATION SHEET

## MULTI-AIM 50W 3 LIGHT MR16 RECESSED REMODEL / REMOTE

LAMPING: 3 x 50 watt max.

- Cat. No.: L-IT-316B-3E-** \_\_\_\_\_ - \_\_\_\_\_ - \_\_\_\_\_
- Cat. No.: L-RM-316B-3R-** \_\_\_\_\_ - \_\_\_\_\_ - \_\_\_\_\_

Type: \_\_\_\_\_

Project: \_\_\_\_\_

### Fixture Description:

Recessed 3-light MR-16, dual inner gimble ring adjustable lighting fixture for remodel applications. Housing interior, adjustable lamp assembly and ceiling trims available in satin silver, matte black, and matte white. Special order for other Contrast finishes, consult factory. Includes mounting clips.

### Features:

- Integral 50W dimmable transformer for each lamp.** Primary lead is 120V. Secondary lead is 11.5V. 277V also available. 3 year mfg. warranty on electronic transformers. Mounted on J-Box.
- Adjustable flex conduit.**
- Socket:** MR16 mini bi-pin with pure nickel contacts. Wire leads: Teflon coated rated at 250°C. **3 year mfg. warranty.**
- Adjustable inner and outer gimble ring with aiming lock feature.** Outer Ring: 45° lateral tilt. Inner Ring: 40° longitudinal tilt. 360° rotation. **Gimble ring color matches housing color.**
- Lens retaining ring.** Holds up to three lens accessories in place.
- Lampholder caps** allow convenient **front loading** and removal of beam accessories and MR16 lamp. Constructed of die formed aluminum and provides visual glare cutoff. Includes clear UV filtered lens.
- Locking slot adjustable spring clips** provides for easy installation and accommodates ceilings up to 2" thick.
- Junction box** is 16 guage, 4-in, 4-out branch circuit wiring. UL listed for through branch wiring. Accessible below ceiling.
- Thermal Protector** meets NEC and UL/cUL requirements.
- Ceiling trim flange** is mounted to lamp housing.
- Die formed housing compartment** constructed of 18 guage CRS, powder-coated baked enamel finish. Frame-in housing complete with 16 guage j-box for 4-in, 4-out branch circuit wiring.
- Fully enclosed wiring compartment.**

### Notes

All galvanized steel construction available. Consult factory.

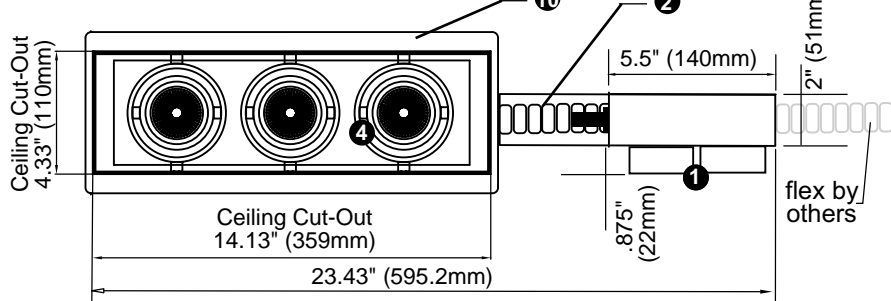
### Labels

UL / cUL  
Suitable for damp location

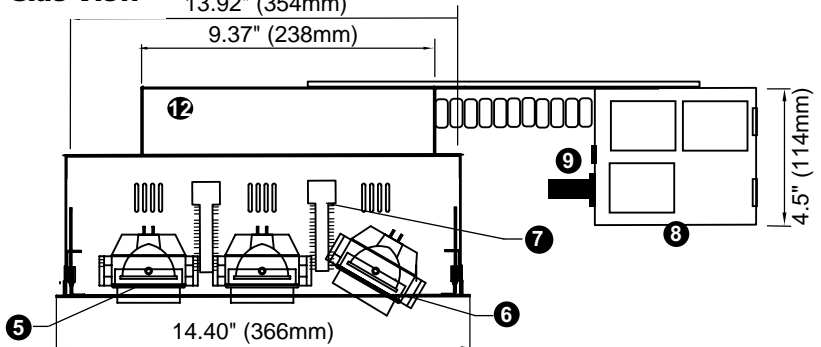
### Remote Applications (RM)

Please see our catalog for remote transformer information.

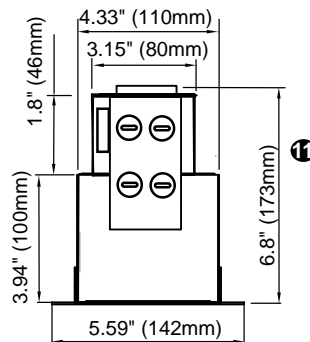
### Bottom View



### Side View



### End View



### Ordering Information - check appropriate boxes.

Catalog No.	Transformer	Housing Finish	Trim Finish	Voltage	Options
<input type="checkbox"/> L-IT-316B-3	<input type="checkbox"/> E (Electronic)	<input type="checkbox"/> HB (Matte Black)	<input type="checkbox"/> TB (Matte Black)	<input type="checkbox"/> 120 (120V)	<input type="checkbox"/> GS (Galvanized Steel)
<input type="checkbox"/> L-RM-316B-3	<input type="checkbox"/> R (Remote)	<input type="checkbox"/> TW (Matte White)	<input type="checkbox"/> TW (Matte White)	<input type="checkbox"/> 277 (277V)	<input type="checkbox"/> _____
		<input type="checkbox"/> HS (Satin Silver)	<input type="checkbox"/> TS (Satin Silver)		<input type="checkbox"/> _____
		<input type="checkbox"/> _____	<input type="checkbox"/> _____		
		<input type="checkbox"/> _____			

Example: L-IT-316B-3E-HB-TW-120  
L-RM-316B-3R-HB

We reserve the right to change specifications without notice.



1009 du Parc Industriel • Saint-Jean-Chrysostome  
Quebec, Canada G6Z1C5  
Tel.: 418.839.4624 • Fax: 418.839.7057  
Toll-free tel.: 1.888.839.4624  
www.contrastlighting.com  
111504