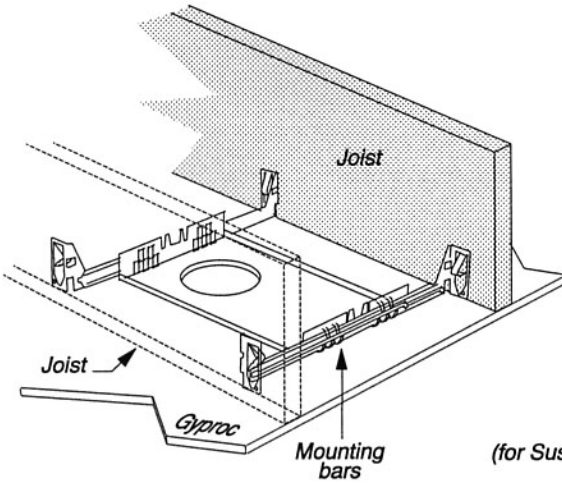


"NW" SERIES

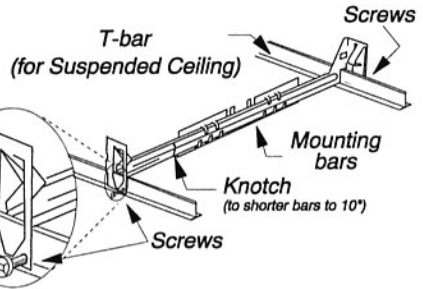
CONTRAST
L I G H T I N G M L I N C.

**INSTRUCTIONS FOR INSTALLING
NEW WORK MOUNTING PLATE**

- 1- Locate position of fixtures and install before the gypsum board
Fasten mounting frame to wood joist (or other ceiling type) with adjustable mounting bars. (10" to 24.5") **To shorten bars to 10", remove bars and cut off at the notch. Reassemble.**
- 2- For suspended Ceiling installation, follow the same procedure but fix the mounting bars on the T-Bar (with the screws supplied) This operation is done above the ceiling tile.



OD Cut	
P2000NW	4 1/4" 107 mm
P2550NW	3 3/4" 95 mm
P2575NW	4 5/8" 117 mm
P4000NW	3 1/4" 82 mm
P7000NW	4 1/4" 107 mm



ATTENTION
DO NOT INSTALL INTO INSULATION
WARNING: «RISK OF FIRE»
Most dwellings built before 1985
have supply wires rated 60° C.

IMPORTANT : The use of other company's (non-Contrast) products or components (ie trims) in conjunction with Contrast products may not be covered by UL and CSA approvals, and could be hazardous. Such use automatically voids all Contrast warranty and responsibility from any problems it may occur.

Please keep these instructions for maintenance reference



Conform to UL Standards

SUITABLE FOR DAMP LOCATIONS

WARRANTY : CONTRAST LIGHTING ML INC.

guarantees the transformer and components against manufacturing defects for a period of one (1) year, under normal use with proof of purchase. The obligation of the manufacturer consists in the cost of the transformer and components and does not cover the cost of labor and transport for replacement. For all claims, please contact your local supplier.

PRINTED IN CANADA
EC 165-09-05