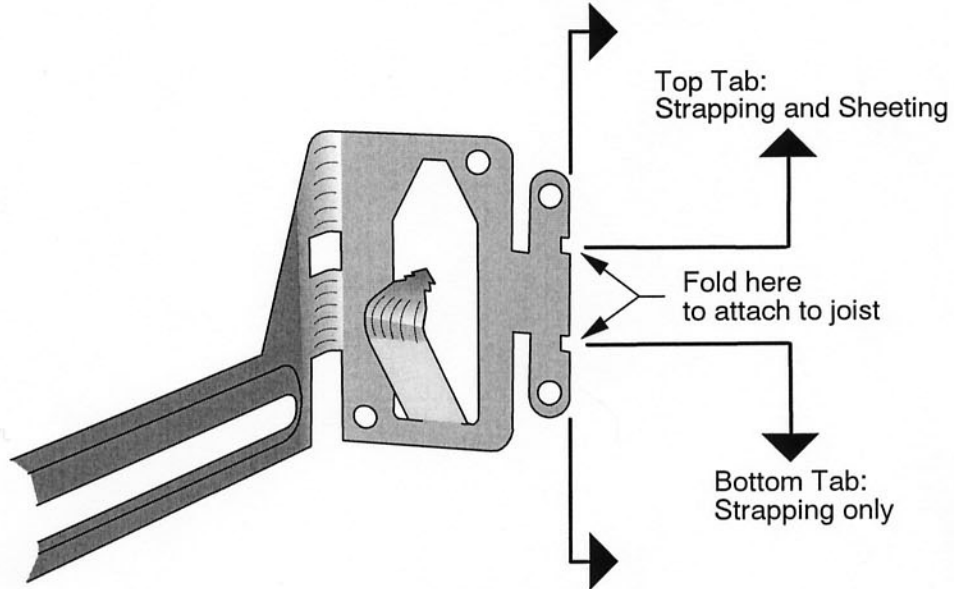
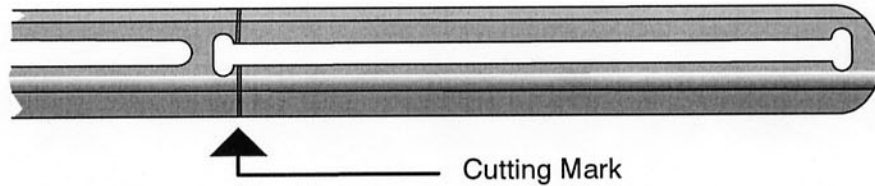


CHANGES ON HANGER BARS FOR ISMR2000M and ISMR3000M

Tabs: To position the height of the fixture either with Strapping and Sheeting or Strapping only.

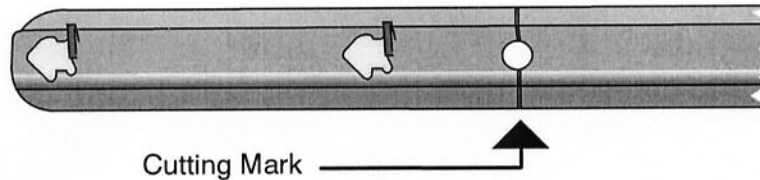


Part 1:



The sides are bridged to avoid separation after shortening on «Cutting Mark».

Part 2:



If Part 2 needs to be shortened, both Parts will be held in place by the «claws» on the IC Box.