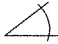







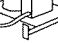





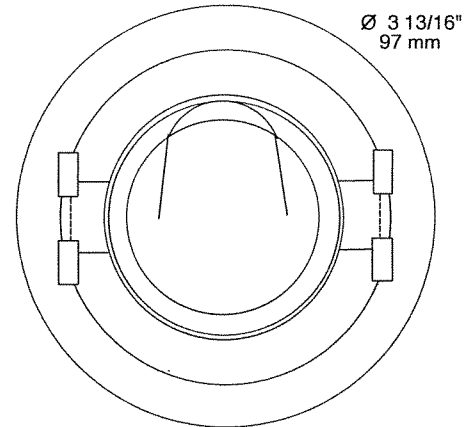
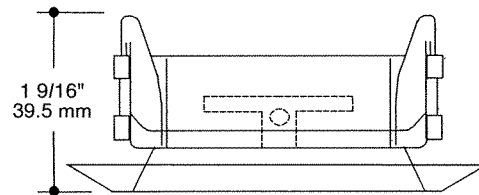
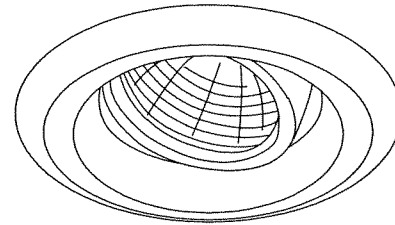
SPECIFICATION SHEET

3" LOW VOLTAGE MR16

PROJECT No:

T4300 - DECOR ADJUSTABLE

-  30°
 -  yes
 -  MR16 20-35W
 -  _____
 -  _____
 -  _____
 -  _____
 -  _____
 -  NW4000M
 -  IT4000CE / IT4000CM
 -  IT4000E / IT4000M
 -  ISMR4000M20
- E** Electronic **M** Magnetic **C** Short **L** Long



NOTES:
UNLESS OTHERWISE INDICATED,
ALL TRIMS SERIES ARE FOR INTERIOR USE ONLY.
THE BLACK POTS ARE OPTIONAL

TRIM FINISH

- 01- WHITE
- 02- BLACK
- 03- 24K GOLD PLATED
- 04- CHROME PLATED
- 04BR- BRUSHED CHROME PLATED
- 05- ARCHITECTURAL BRONZE
- 06- ANTIQUE COPPER
- 07- ANTIQUE BRASS PLATED
- 08- ANTIQUE SILVER PLATED
- 09- MAHOGANY
- 11- MATTE WHITE
- 12BR- BRUSHED NICKEL PLATED
- 13- SATIN NICKEL PLATED
- 14- ALMOND



PROJECT

Your Project: _____

Representative: _____