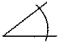















SPECIFICATION SHEET

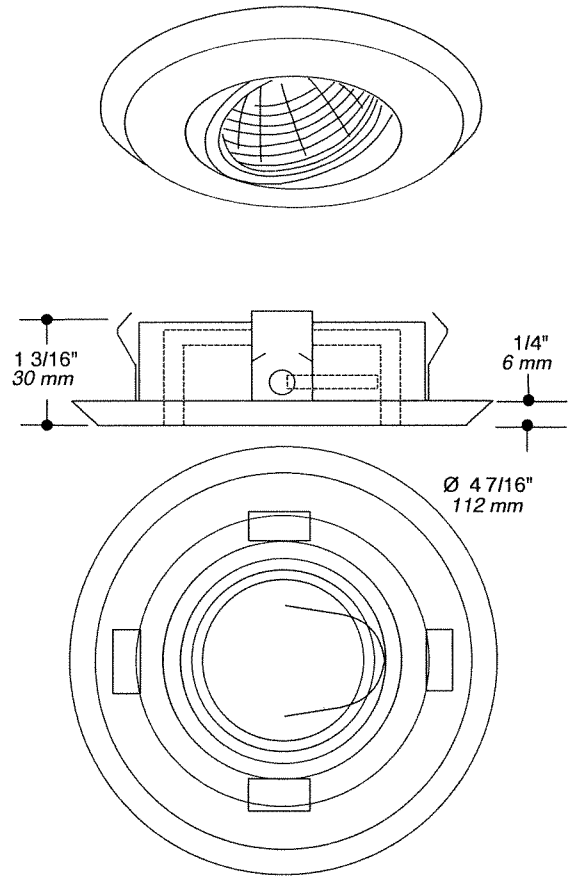
3 1/2" LOW VOLTAGE MR16

T3260 - BEVELED ADJUSTABLE

PROJECT No:

-  _____ **30°**
-  _____
-  _____ **yes**
-  _____ **MR16 20-50W**
-  _____
-  _____
-  _____
-  _____
-  _____ **NW3000CM / NW3000LM**
-  _____ **IT3000E / IT3000CE / IT3000LE**
-  _____ **IT3000M / IT3000CM / IT3000LM**
-  _____ **ISMR3000E20 / ISMR3000M20**
-  _____ **ISMR3000E35 / ISMR3000M35**
-  _____ **ISMR3000M37 / ISMR3000M**

E Electronic **M** Magnetic **C** Short **L** Long



NOTES:
UNLESS OTHERWISE INDICATED,
ALL TRIMS SERIES ARE FOR INTERIOR USE ONLY.
THE BLACK POTS ARE OPTIONAL

TRIM FINISH

- | | |
|-----------------------------|-----------------------------|
| 01- WHITE | 07- ANTIQUE BRASS PLATED |
| 02- BLACK | 08- ANTIQUE SILVER PLATED |
| 03- 24K GOLD PLATED | 09- MAHOGANY |
| 04- CHROME PLATED | 11- MATTE WHITE |
| 04BR- BRUSHED CHROME PLATED | 12BR- BRUSHED NICKEL PLATED |
| 05- ARCHITECTURAL BRONZE | 13- SATIN NICKEL PLATED |
| 06- ANTIQUE COPPER | 14- ALMOND |



PROJECT

Your Project: _____

Representative: _____