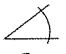


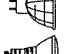



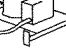
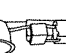


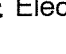


SPECIFICATION SHEET

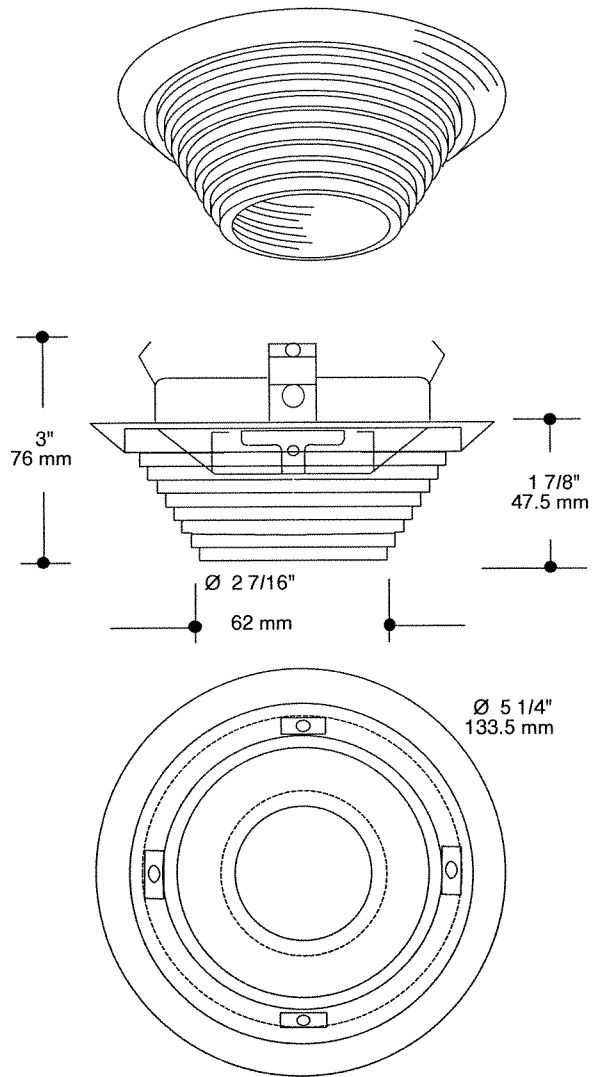
PROJECT No:

4" LOW VOLTAGE MR16

T2000V- FROSTED STEPPED GLASS DOWNLIGHT

	_____
	_____
	_____
	yes
	MR16 20-50W
	_____
	_____
	NW2000CM / NW2000LM
	IT2000E / IT2000M
	IT2000CM / IT2000CE
	ISMR2000E35 / ISMR2000M35
	ISMR2000M50 / ISMR2000M

E Electronic **M** Magnetic **C** Short **L** Long



NOTES:
 UNLESS OTHERWISE INDICATED,
 ALL TRIMS SERIES ARE FOR INTERIOR USE ONLY.

TRIM FINISH

- | | |
|-----------------------------|-----------------------------|
| 01- WHITE | 07- ANTIQUE BRASS PLATED |
| 02- BLACK | 08- ANTIQUE SILVER PLATED |
| 03- 24K GOLD PLATED | 09- MAHOGANY |
| 04- CHROME PLATED | 11- MATTE WHITE |
| 04BR- BRUSHED CHROME PLATED | 12BR- BRUSHED NICKEL PLATED |
| 05- ARCHITECTURAL BRONZE | 13- SATIN NICKEL PLATED |
| 06- ANTIQUE COPPER | 14- ALMOND |



PROJECT

Your Project: _____

Representative: _____