

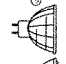
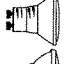
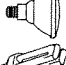

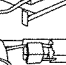


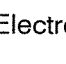


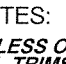
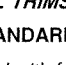
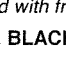




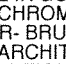









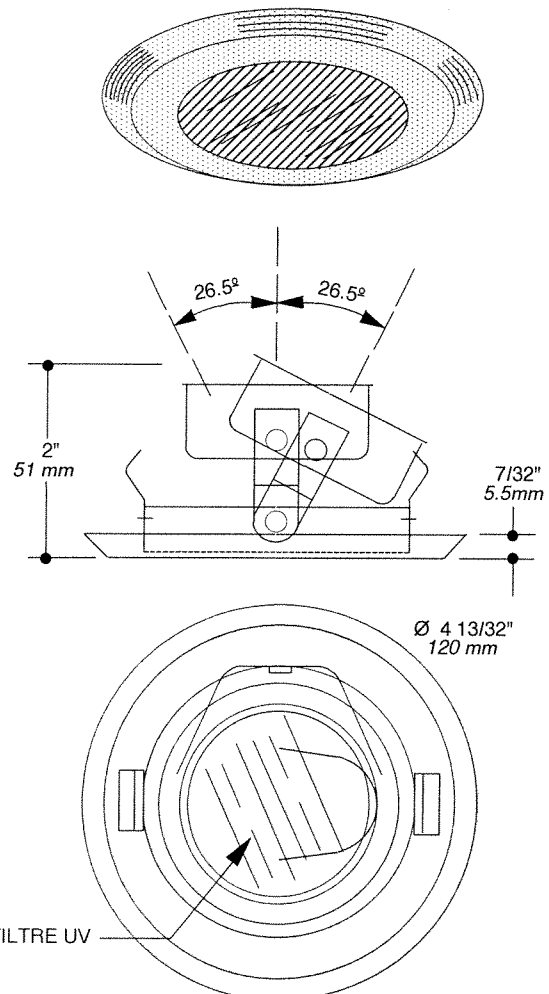
**SPECIFICATION SHEET**

**3 1/2" LOW VOLTAGE MR16**

**PROJECT No:**

**S3400D - BEVELED SHOWER ADJUSTABLE**

	_____
	26.5°
	_____
	yes (Wet location)
	_____
	MR16 20-42W
	_____
	_____
	_____
	_____
	_____
	_____
	_____
	_____
	_____
	_____
	_____
	_____
	_____
	_____
	_____
	_____
	_____
	_____
	_____
	_____
	_____
	_____
	_____
	_____



**E** Electronic **M** Magnetic **C** Short **L** Long

NOTES:  
 UNLESS OTHERWISE INDICATED,  
 ALL TRIMS SERIES ARE FOR INTERIOR USE ONLY.  
 STANDARD REFLECTOR : BRUSHED ALUMINIUM  
 Send with frosted lens Ø 73mm (Clear lens is available upon request)  
 THE BLACK POTS ARE OPTIONAL

**TRIM FINISH**

- 01- WHITE
- 02- BLACK
- 03- 24K GOLD PLATED
- 04- CHROME PLATED
- 04BR- BRUSHED CHROME PLATED
- 05- ARCHITECTURAL BRONZE
- 06- ANTIQUE COPPER
- 07- ANTIQUE BRASS PLATED
- 08- ANTIQUE SILVER PLATED
- 09- MAHOGANY
- 11- MATTE WHITE
- 12BR- BRUSHED NICKEL PLATED
- 13- SATIN NICKEL PLATED
- 14- ALMOND



Your Project: \_\_\_\_\_

Representative: \_\_\_\_\_