

SPECIFICATION SHEET

4" LOW VOLTAGE MR16

PROJECT No:

R2010V/SM - REGRESSED DOWNLIGHT GLASS REFLECTOR

yes

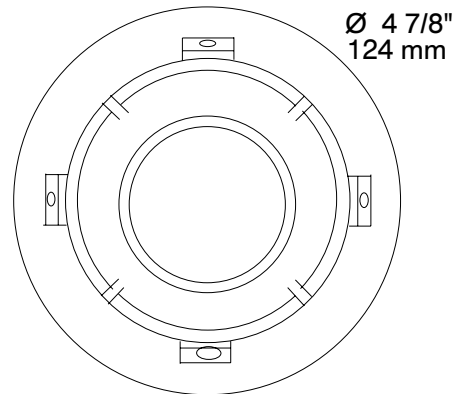
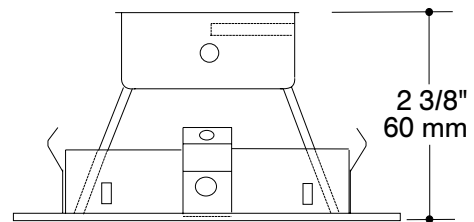
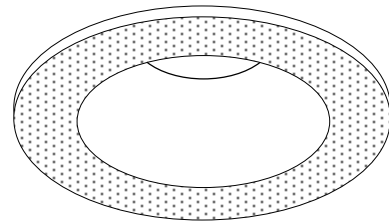
MR16 20-50W

NW2000LM / NW2000T

IT2000E / IT2000M
IT2000T

ISMR2000E35 / ISMR2000M
ISMR2000M35 / ISMR2000T

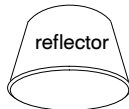
E Electronic **M** Magnetic **C** Short **L** Long



NOTES:

UNLESS OTHERWISE INDICATED, ALL TRIMS SERIES ARE FOR INTERIOR USE ONLY.

Glass reflector finish
R2000V Natural
R2010V Blue
R2030V Green



TRIM FINISH

- 01- WHITE
- 02- BLACK
- 03- 24K GOLD PLATED
- 04- CHROME PLATED
- 04BR- BRUSHED CHROME PLATED
- 05- ARCHITECTURAL BRONZE
- 06- ANTIQUE COPPER
- 07- ANTIQUE BRASS PLATED
- 08- ANTIQUE SILVER PLATED
- 09- MAHOGANY
- 11- MATTE WHITE
- 12BR- BRUSHED NICKEL PLATED
- 13- SATIN NICKEL PLATED
- 14- ALMOND



PROJECT

Your Project: _____

Representative: _____